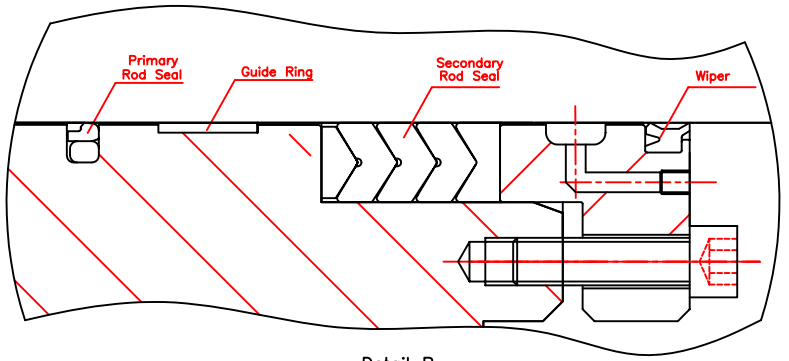
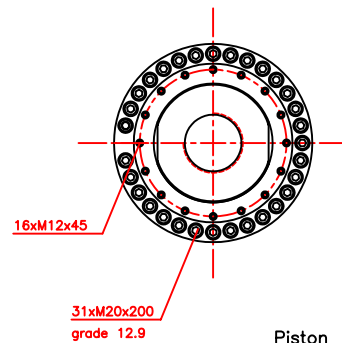
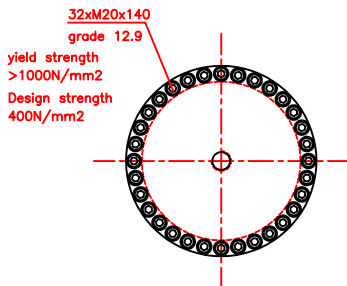
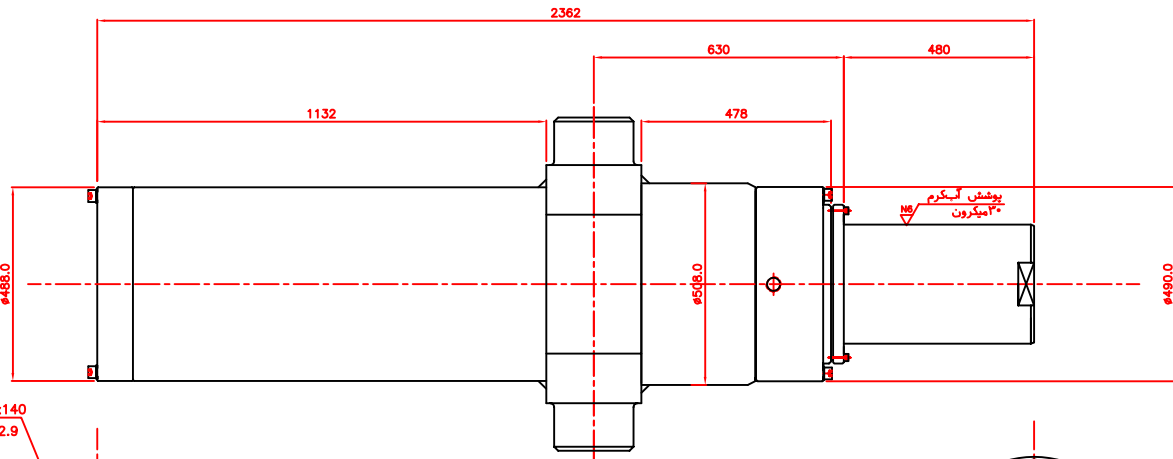
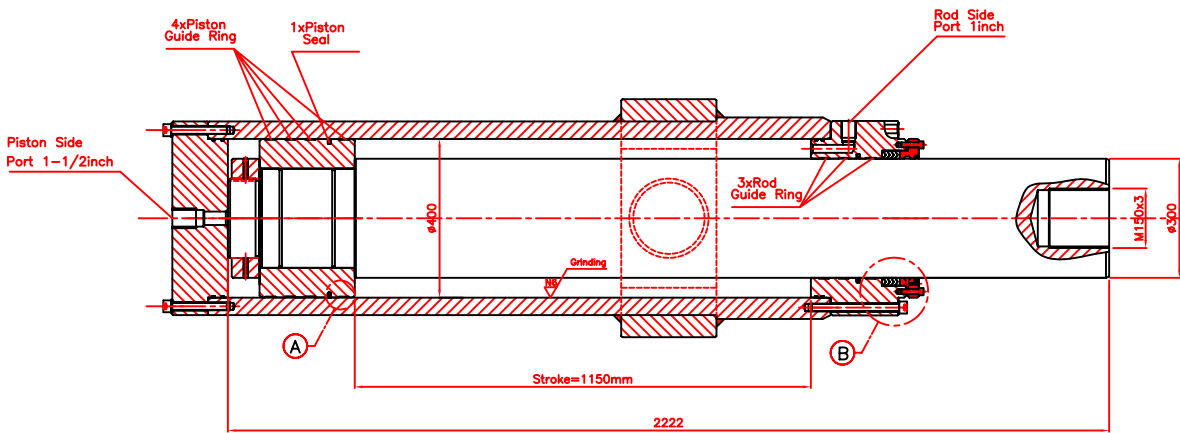


Detail A
10:1



Detail B
10:1



Piston = 400mm
 Rod = 300mm
 Stroke = 1150mm
 WPressure = 250bar

Designed	Date	Name	Project:	Cylinder 300ton
Drawn	5.7.90	Vahabzade	Sub-Project:	Assembly
Checked		Danesh	Ref. Code:	
Approved		Karami		
Drawing title: General Specifications and Dimensions			Drawing No.:	
			Ordered by:	
Scale:	Sheet:	1	Allowed deviations on dimensions without tol. indications acc. to:	



Rev. date: Rev: 5