

مرکز آموزش هیدرولیک ایران فلوئید پاور

(ماها فلوئید پاور)



ما تجربیات و دانش هیدرولیک خود را با شما به اشتراک میگذاریم

چند مدار هیدرولیک نمونه

(جهت افزایش مهارت تحلیل مدار)

شرکت بنیان تدبیر پارس

www.iranfluidpower.com

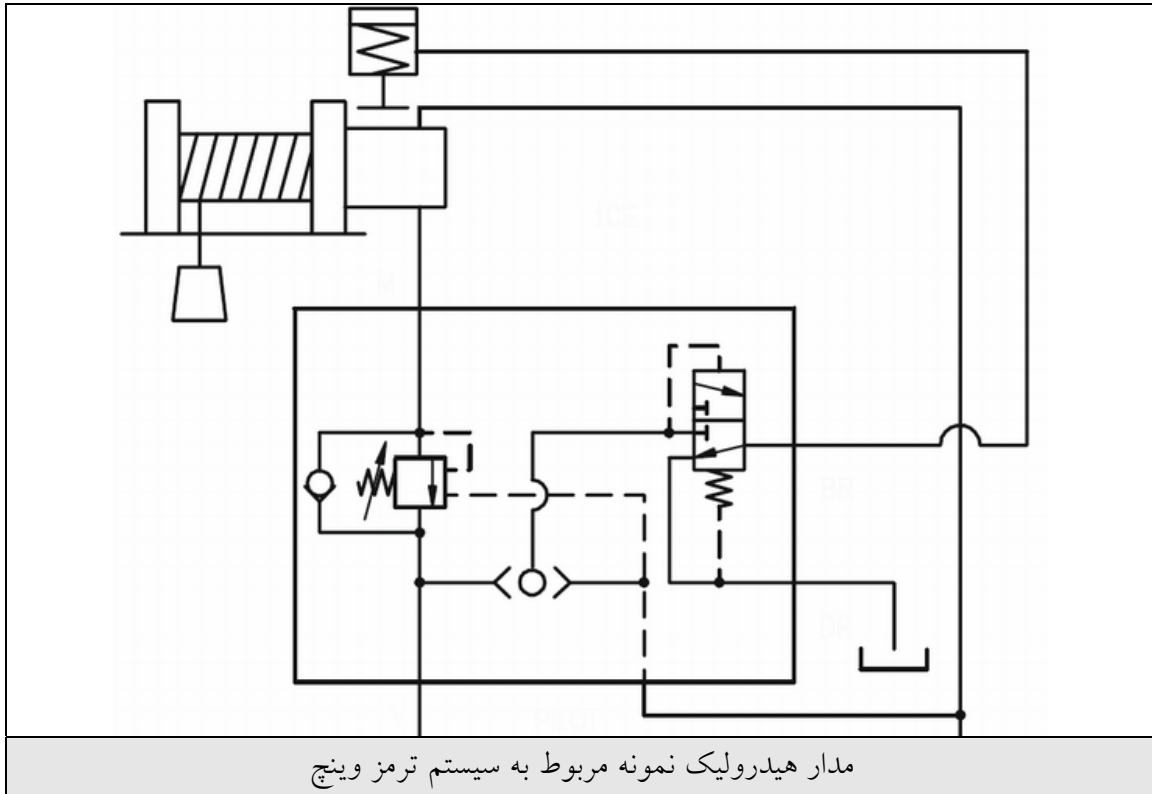
تهیه و تنظیم :

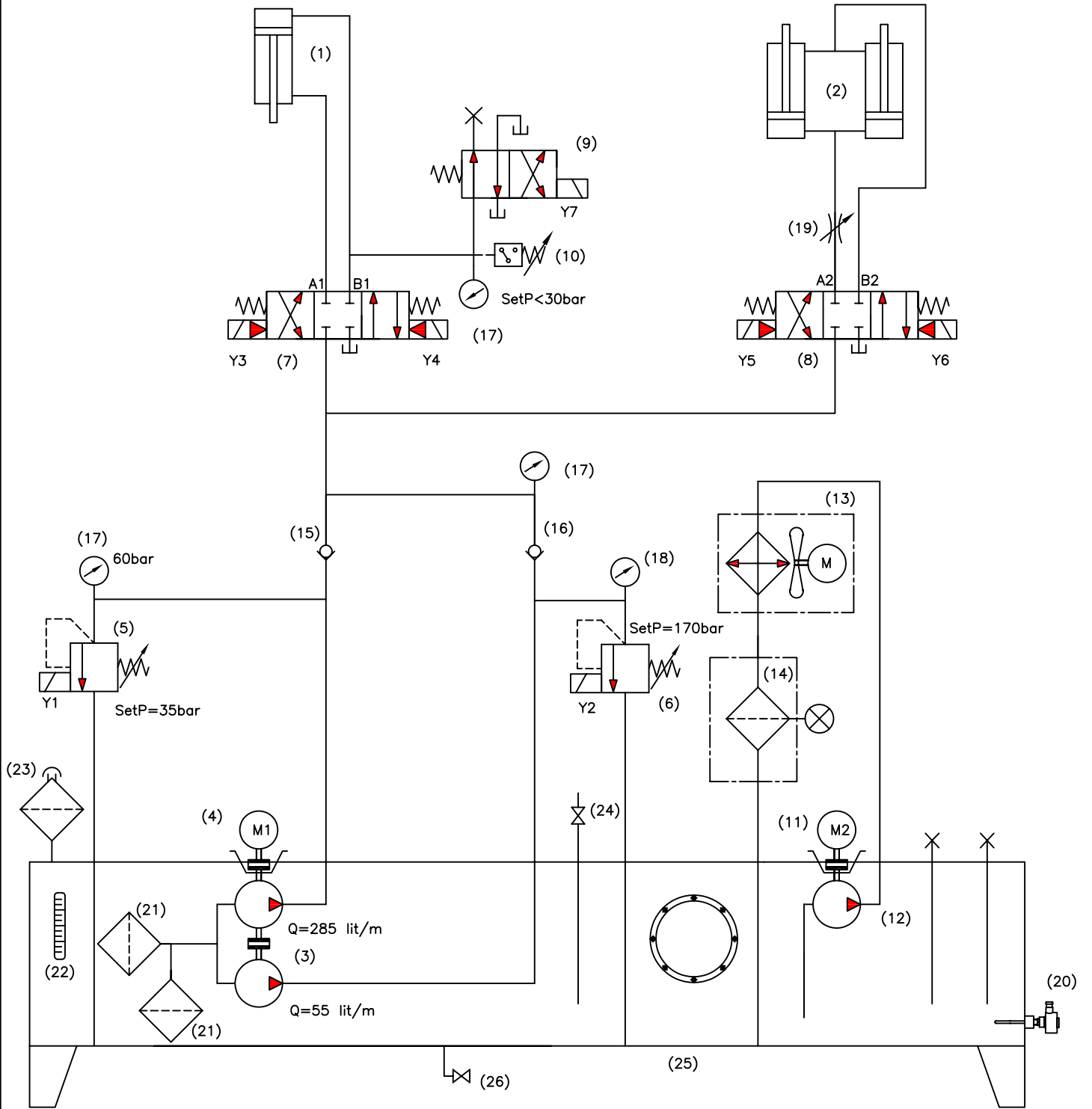
مهندس امیر هوشنگ وهابزاده


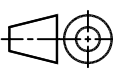
خرداد ۱۳۹۲

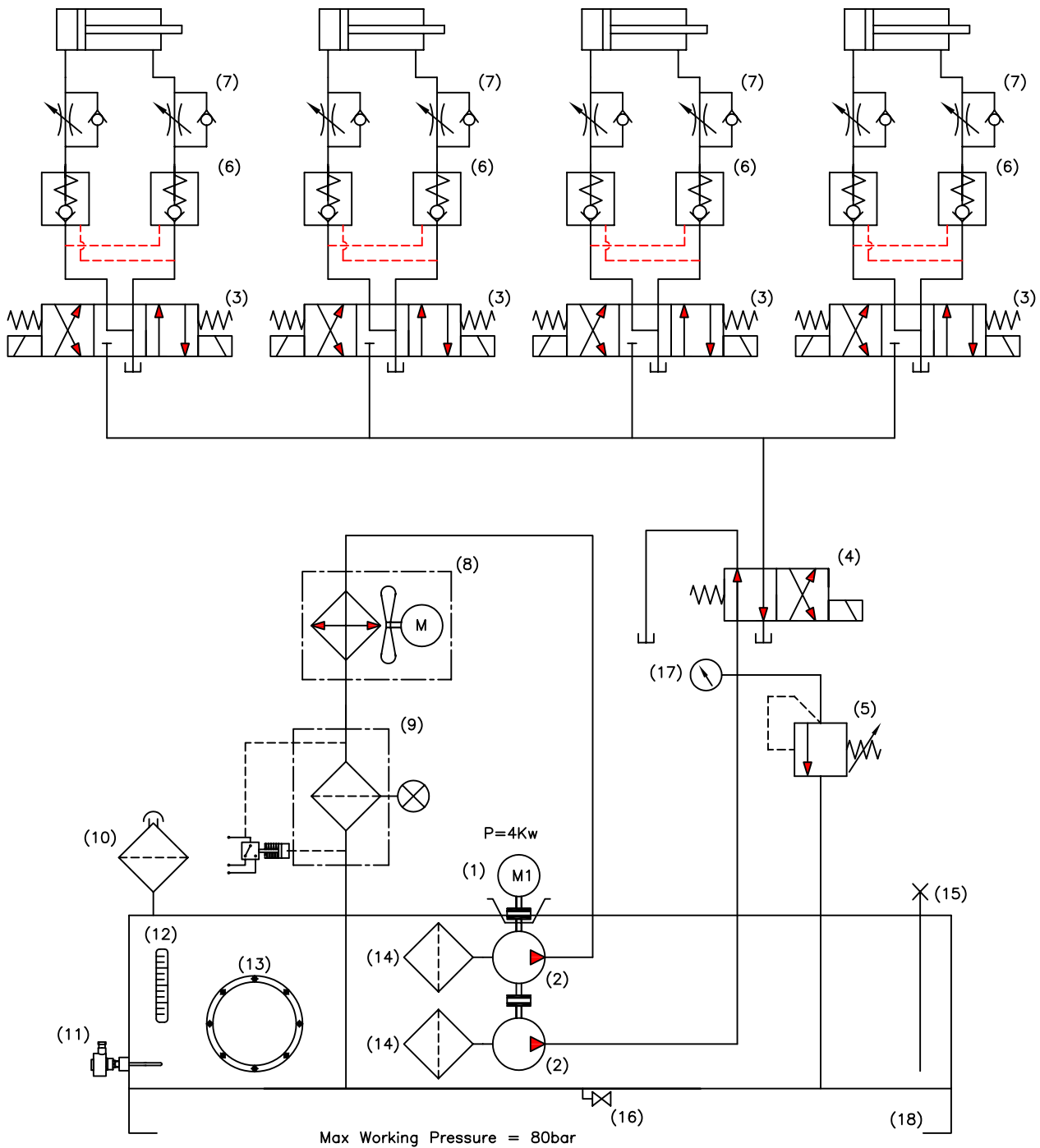
(کلیه حقوق این اثر برای مولف و شرکت بنیان تدبیر پارس محفوظ میباشد)


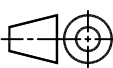
در این مقاله چند مدار هیدرولیک مربوط به سیستمهای هیدرولیک مختلف صنعتی ارائه شده است. این مدارها شامل انواع شیرهای هیدرولیک ساده، پروپورشنال، کارتریج، عملگرهای متعدد و پمپهای متنوع ساده و دبی متغیر میباشد. مهندسین مرتبط با صنعت هیدرولیک میتوانند با بررسی آنها، قدرت تحلیل مدار خود را تقویت نمایند.

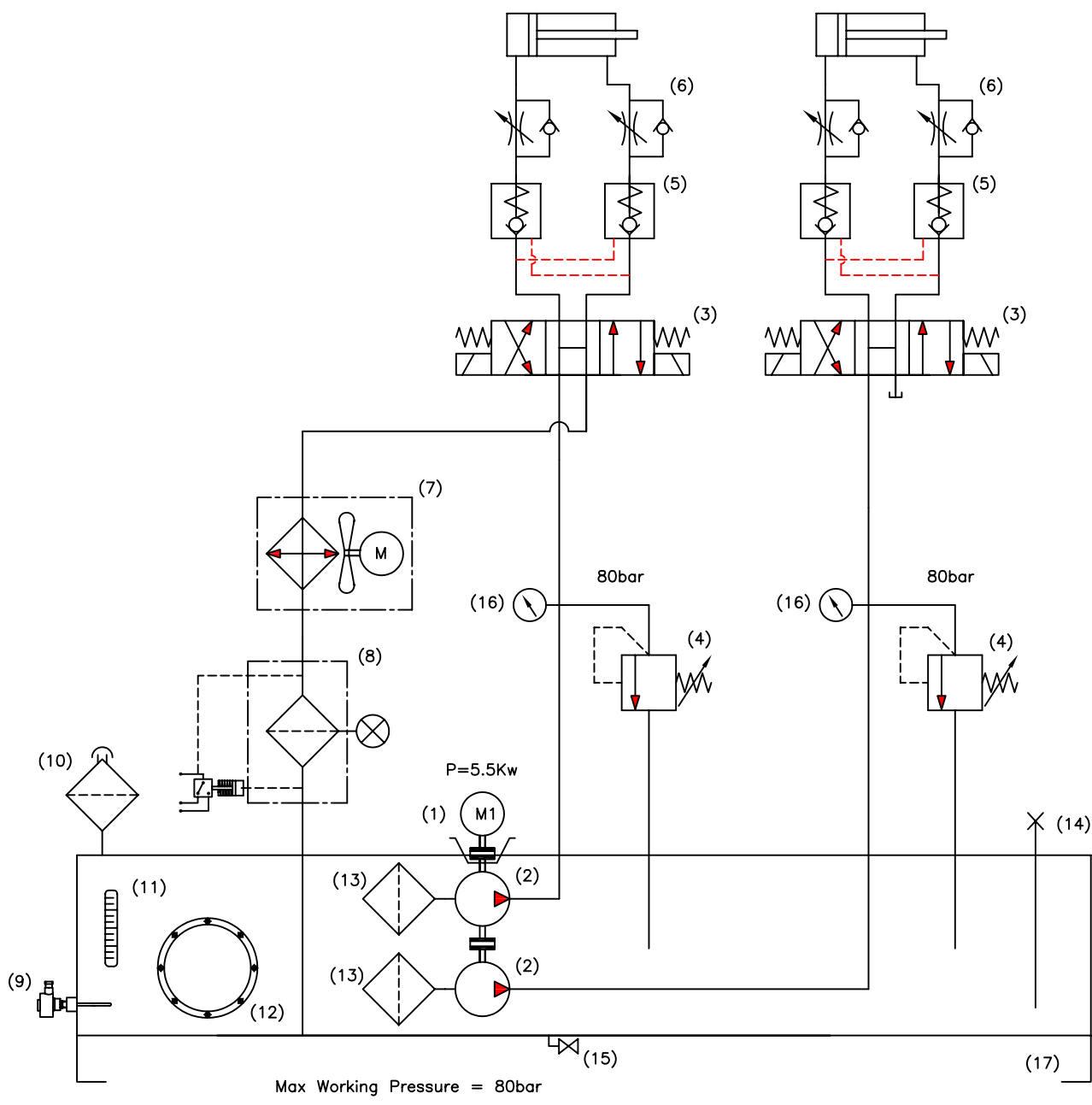




	Date	Name	Project:		 BONYAN TADBIR PARS www.IranFluidPower.com
Designed		Vahabzade	Hydraulic System		
Drawn	26.1.92	Molavi			
Checked		Danesh			
Approved		Karami	Ref. Code:	Ordered by:	
Drawing title:			Qty.:		
Hydraulic circuit			1		
	Scale:	Sheet:	Rev. date:	Rev.:	
		1	29.2.92	2	



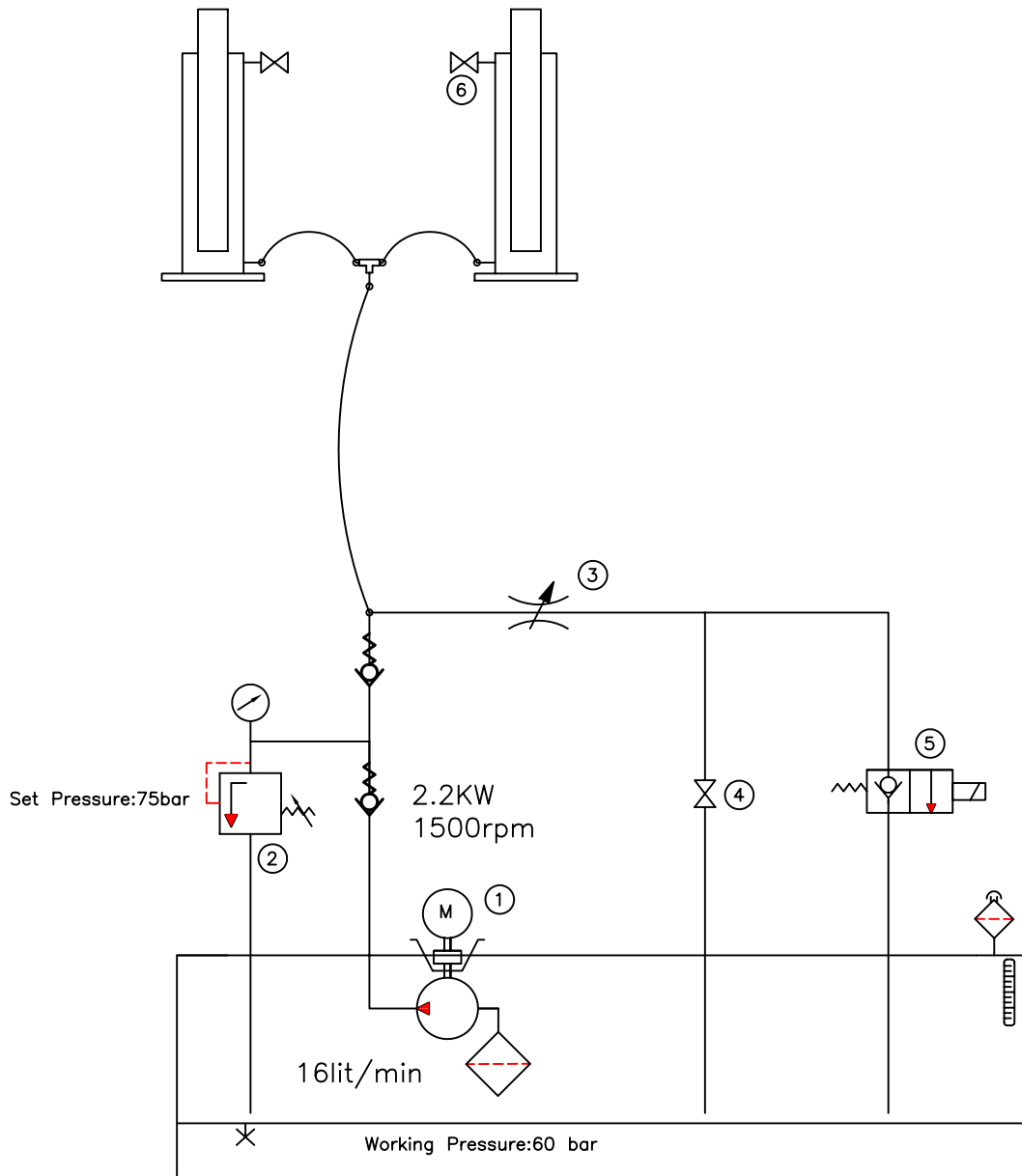
	Date	Name	Project:		 BONYAN TADBIR PARS www.IranFluidPower.com
Designed	25.11.91	Vahabzade	Hydraulic System		
Drawn	25.11.91	Molavi			
Checked		Danesh	Ref. Code:		
Approved		Karami			
Drawing title:			Qty.:		
Hydraulic circuit			2		
	Scale:	Sheet:	Rev. date:	Rev.:	
		1		2	


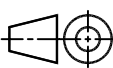


	Date	Name	Project:	
Designed	5.12.91	Vahabzade	Hydraulic System	
Drawn	5.12.91	Molavi		
Checked		Danesh	Ref. Code:	
Approved		Karami		
Drawing title:		Qty.:		
Hydraulic circuit		2		
Scale:	Sheet:	Rev. date:	Rev.:	
	1		1	

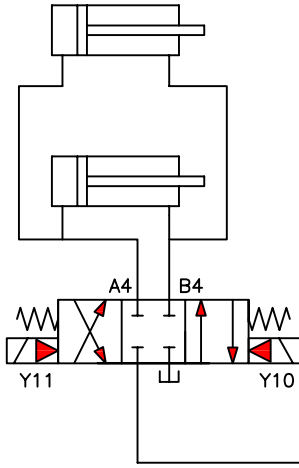
BONYAN TADBIR PARS

www.IranFluidPower.com

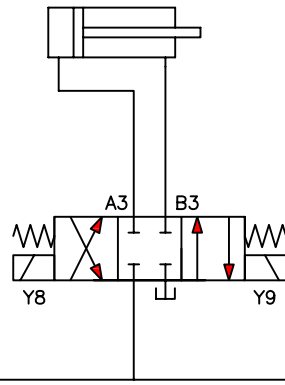


	Date	Name	Project:		 BONYAN TADBIR PARS www.IranFluidPower.com	
Designed		Vahabzade	Hydraulic System			
Drawn	7.09.90	Bahavar				
Checked		Danesh	Ref. Code:	(BTP9007)		Ordered by:
Approved		Karami				
Drawing title:			Qty.:			
Hydraulic Circuit			1			
	Scale:	Sheet:	Rev. date:	Rev.:		
		1	7.9.90	2		

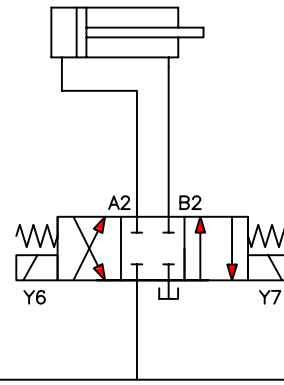
Cylinder:80x40x310



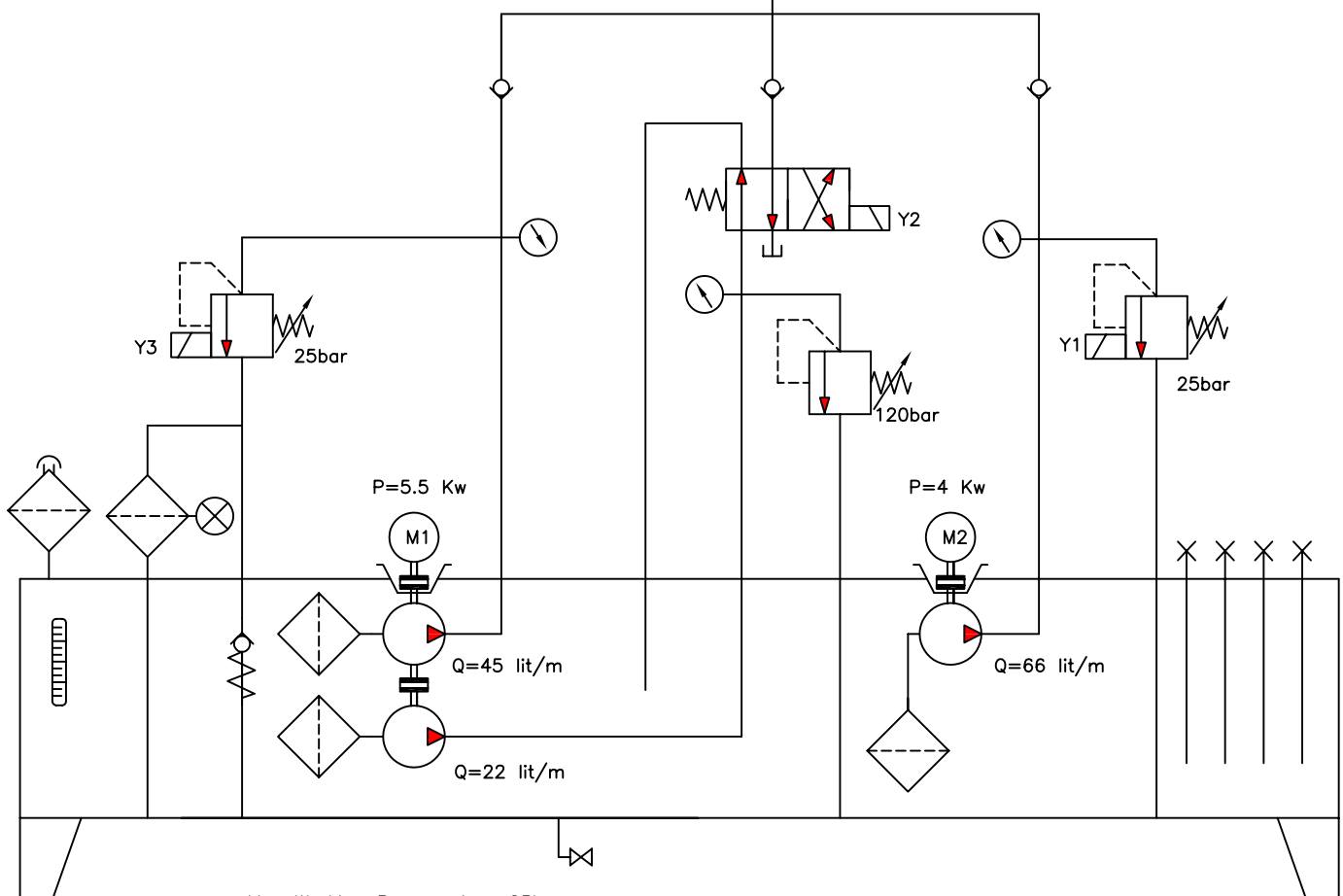
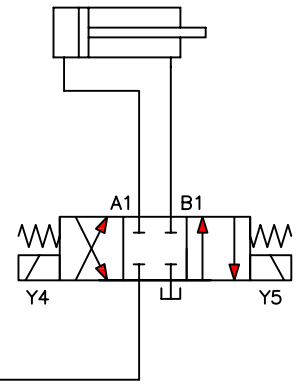
Cylinder:100x50x220



Cylinder:100x50x97



Cylinder:100x50x284

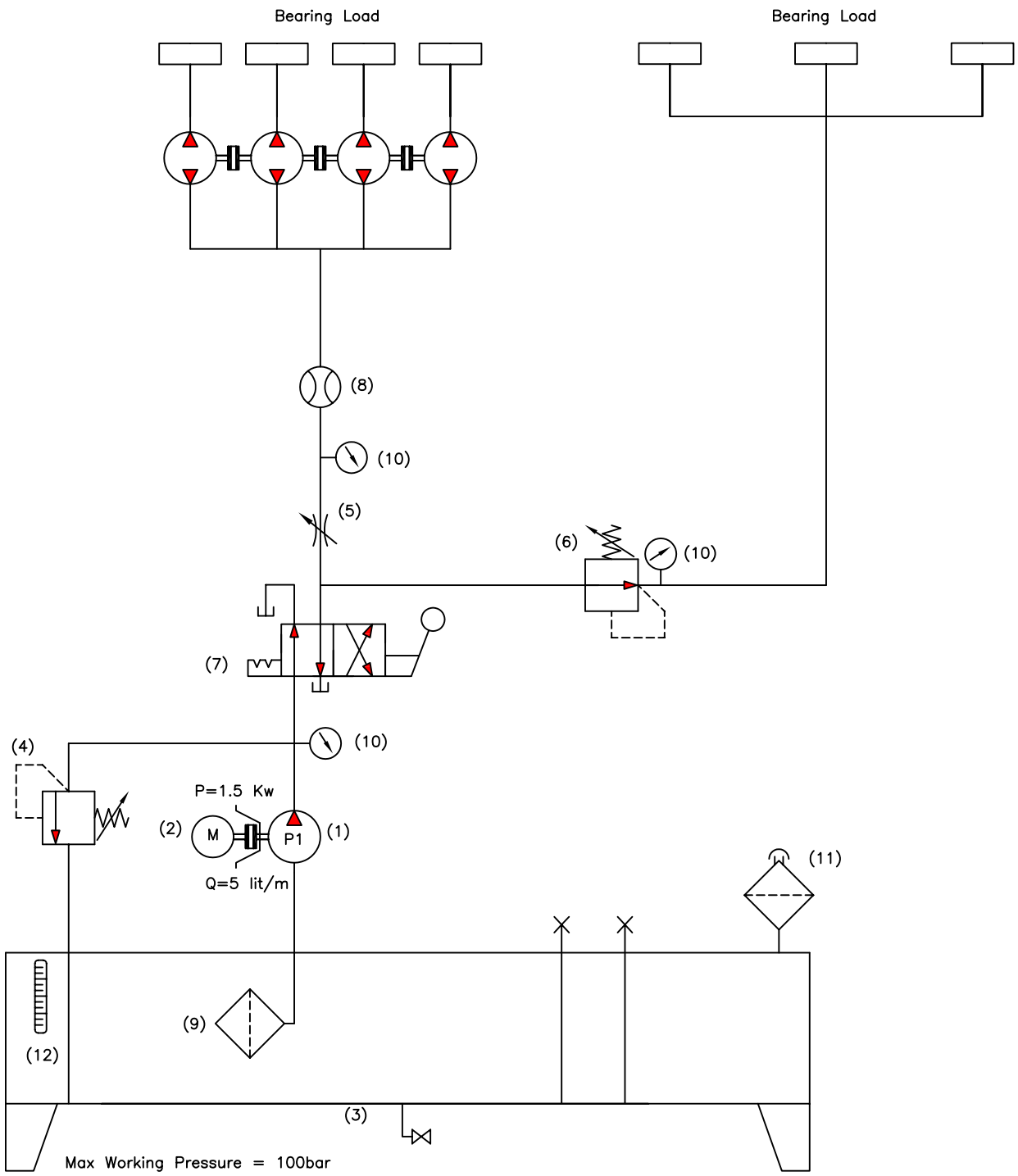


Max Working Pressure1 = 25bar
 Max Working Pressure2 = 25bar
 Max Working Pressure3 = 120bar

	Date	Name	Project:	
Designed		Vahabzade	Hydraulic System	
Drawn	22.12.91	Molavi		
Checked		Danesh		
Approved		Karami	Ref. Code:	Ordered by:
Drawing title:			Qty.:	
Hydraulic circuit			1	
	Scale:	Sheet:	Rev. date:	Rev.:
		1		1

BONYAN TADBIR PARS

www.IranFluidPower.com

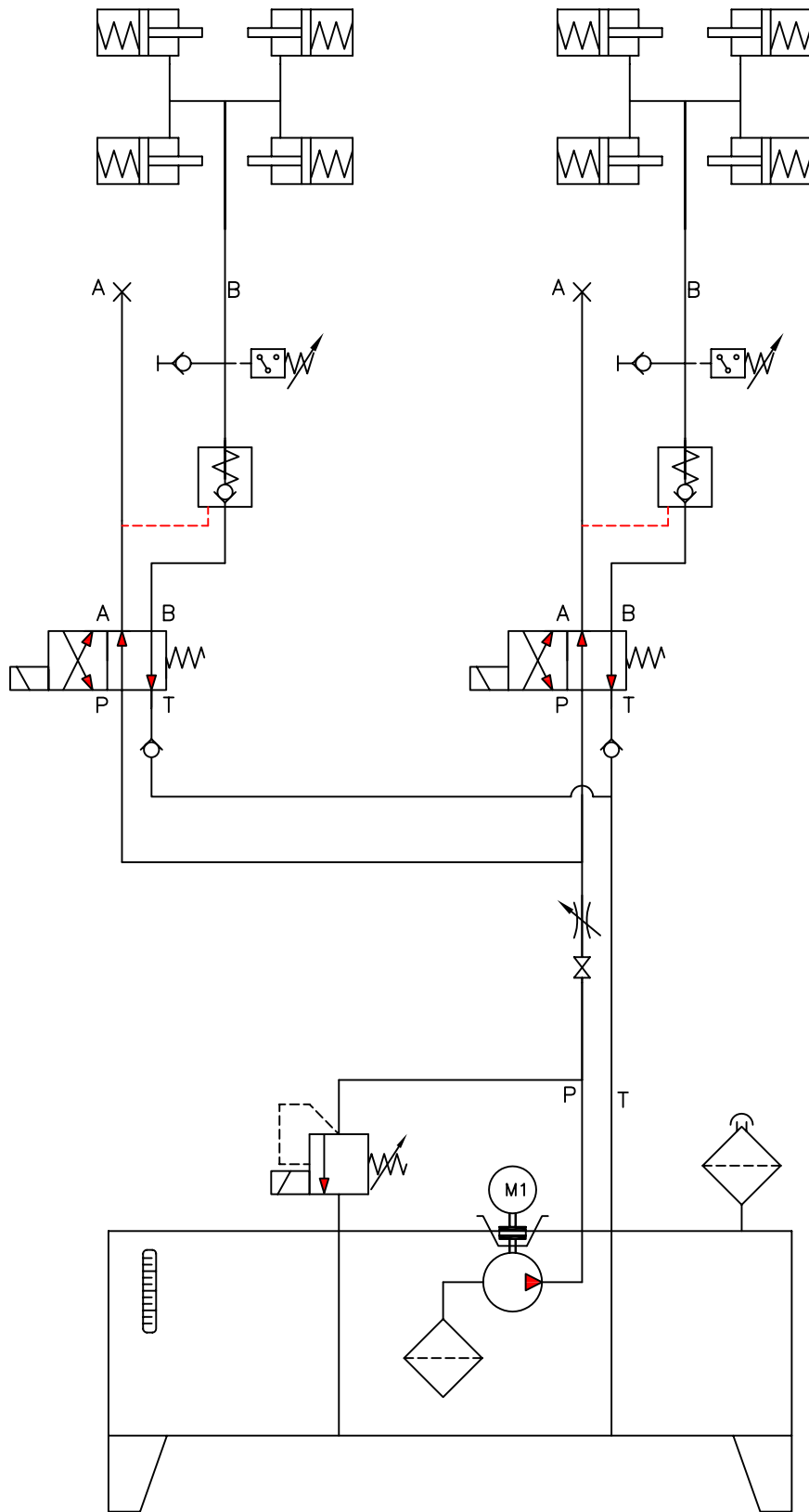


	Date	Name	Project:	
Designed		Vahabzade	Hydraulic System	
Drawn	2.10.91	Molavi		
Checked		Danesh	Ref. Code:	Ordered by:
Approved		Karami		
Drawing title:			Qty.:	
Hydraulic Circuit				
	Sheet:	Rev. date:	Rev.:	
	1		1	



BONYAN TADBIR PARS

www.IranFluidPower.com

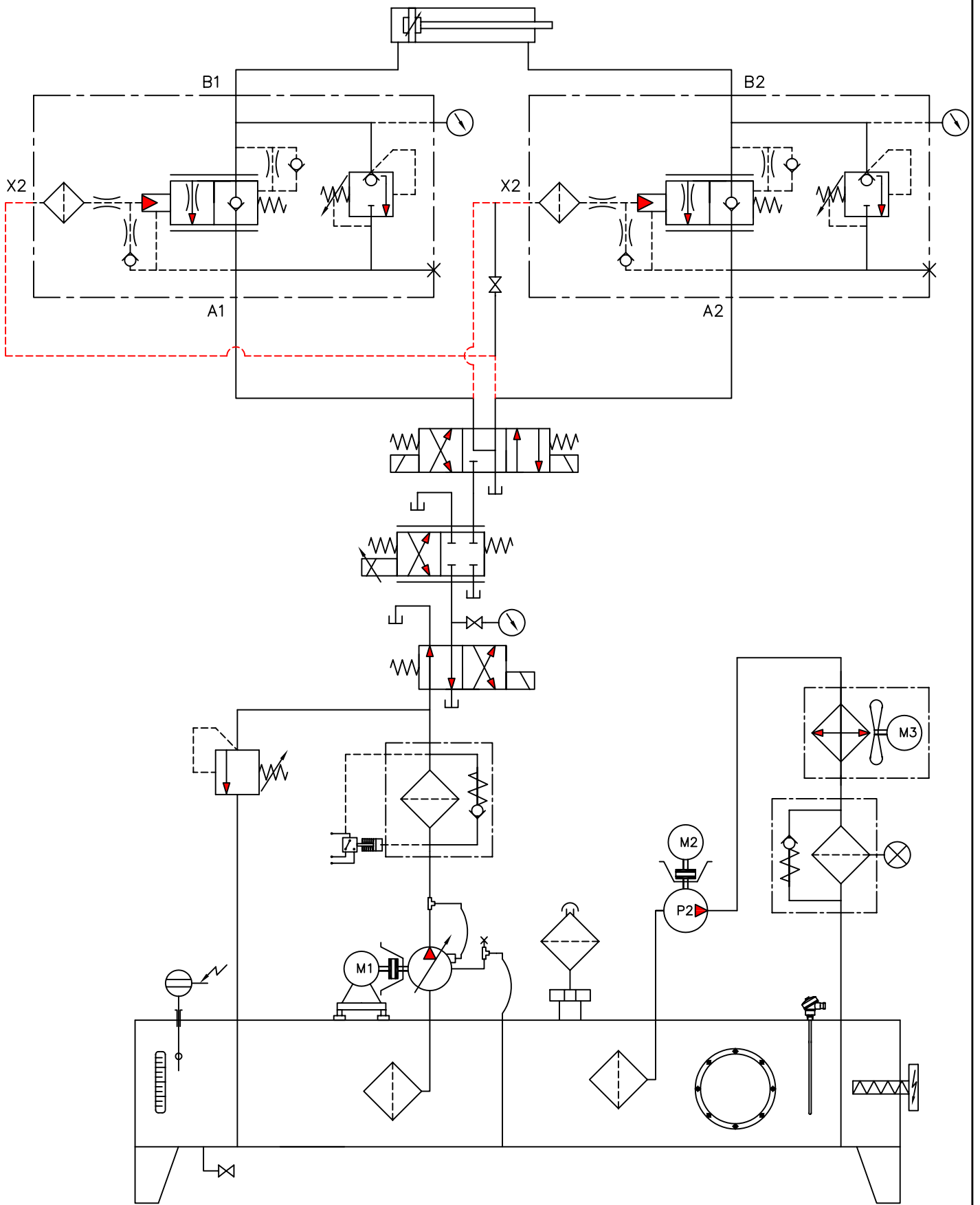



	Date	Name	Project:	
Designed		Vahabzade	Hydraulic System	
Drawn	27.10.91	Molavi		
Checked		Danesh		
Approved		Karami	Ref. Code:	Ordered by:
Drawing title:			Qty.:	
Hydraulic Circuit				
	Sheet:	Rev. date:	Rev.:	
	1			

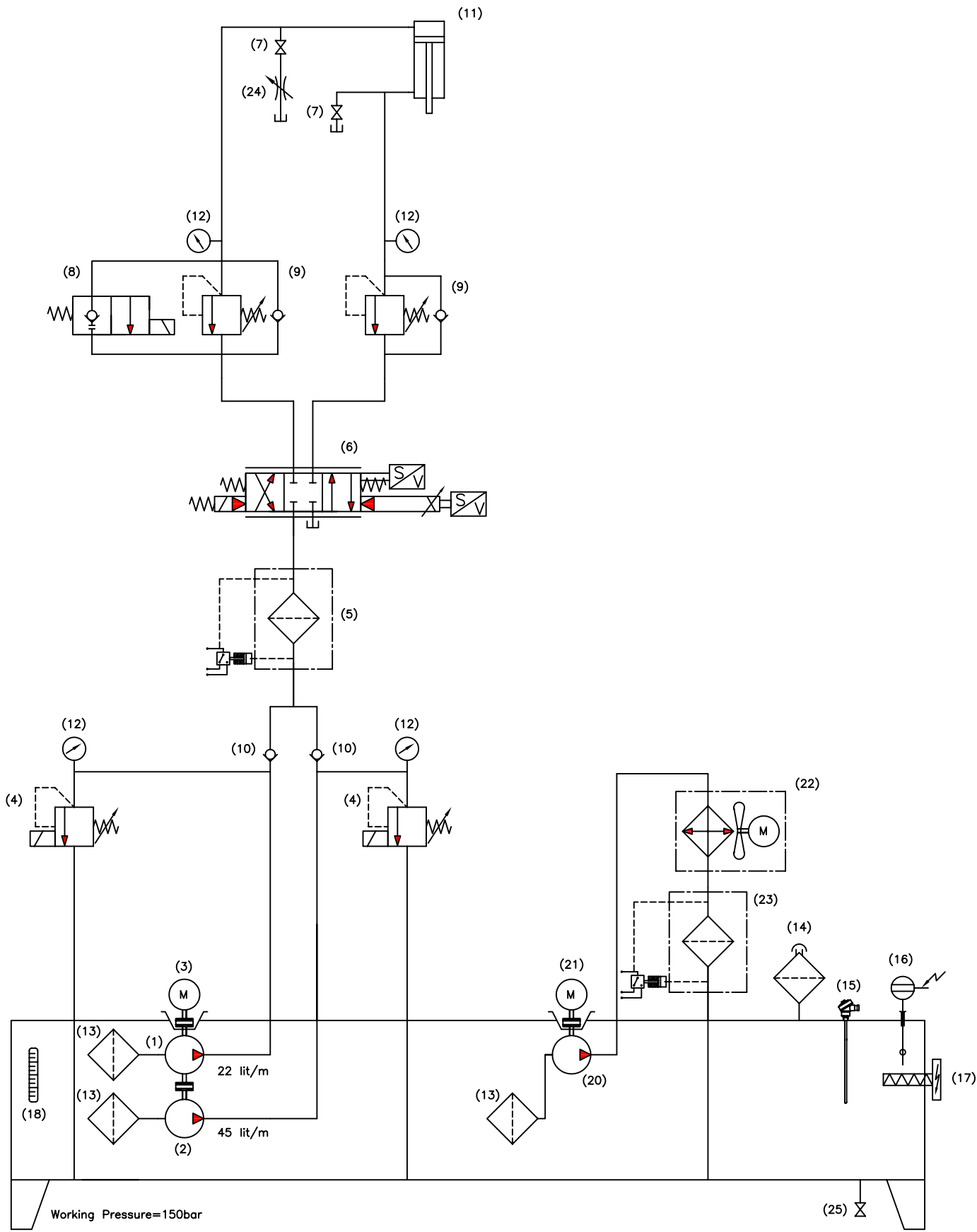


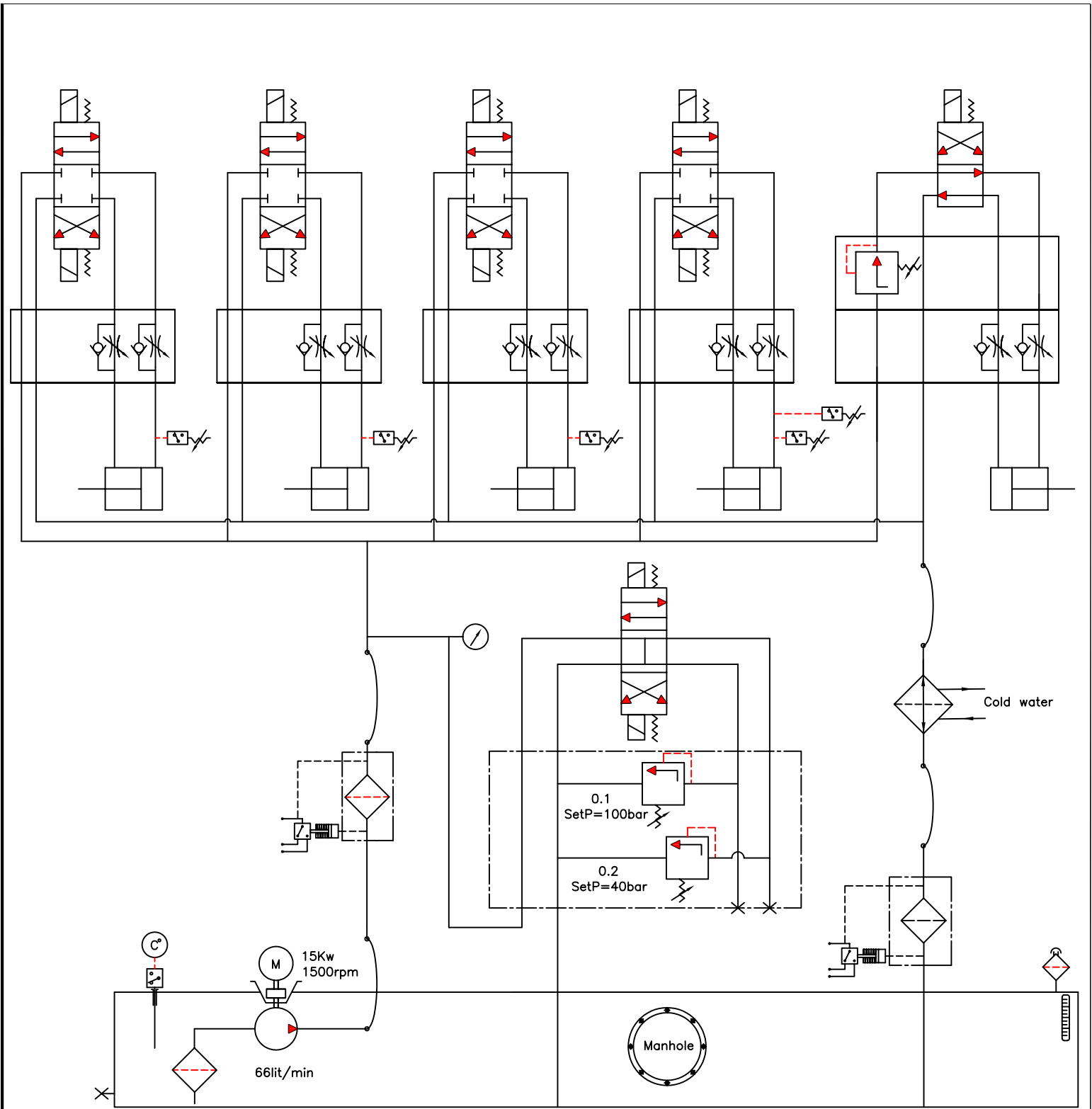
BONYAN TADBIR PARS

www.IranFluidPower.com



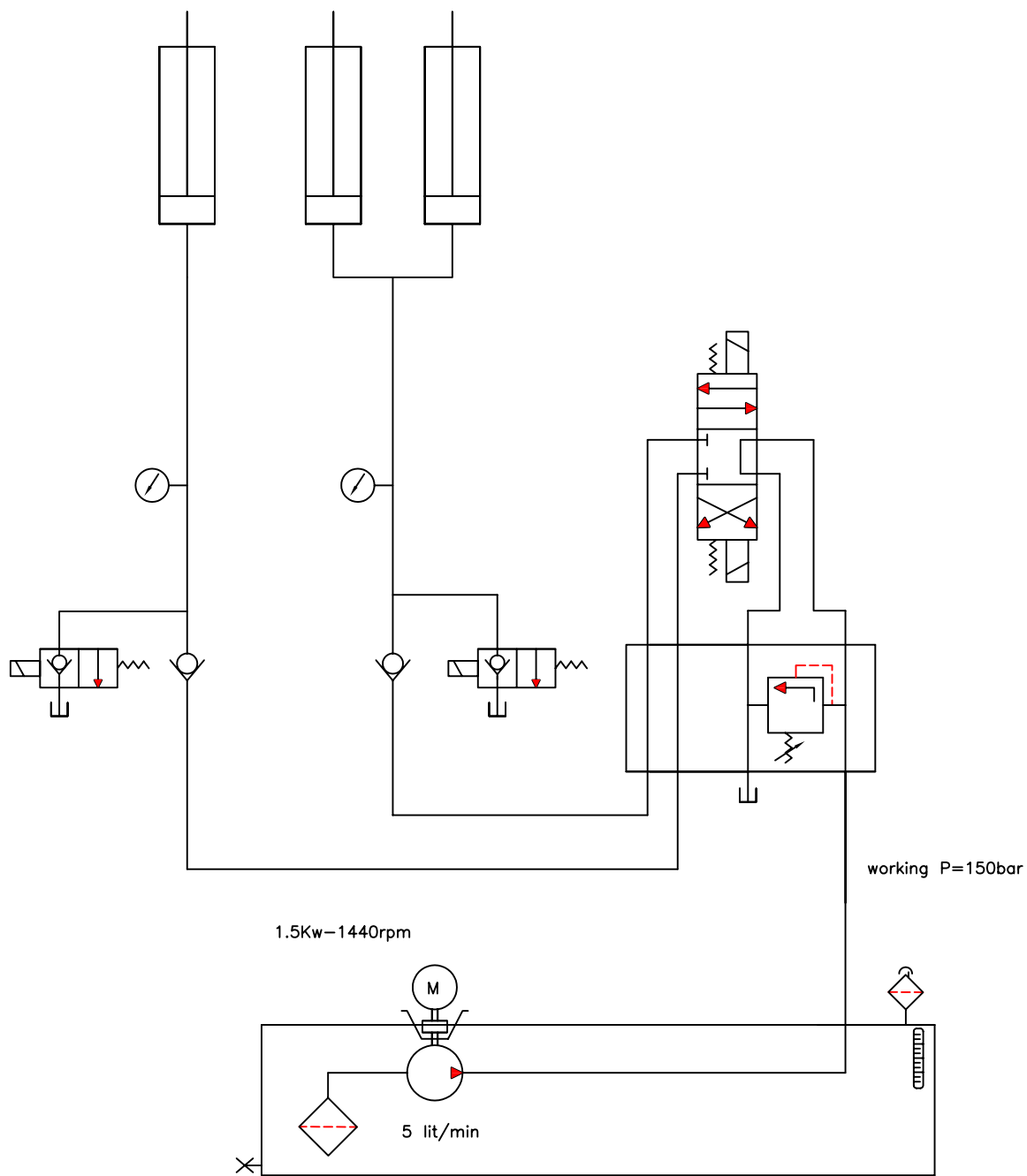
	Date	Name	Project:	Hydraulic System
Designed	12.9.91	Vahabzade		
Drawn		Vahabzade		
Checked		Danesh		
Approved		Karami	Ref. Code:	
Drawing title:		Hydraulic circuit	Qty:	1
			Ordered by:	
	Sheet:	Allowed deviations on dimensions without tol. indications acc. to:		 BONYAN TADBIR PARS www.IranFluidPower.com
	1			


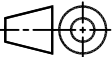


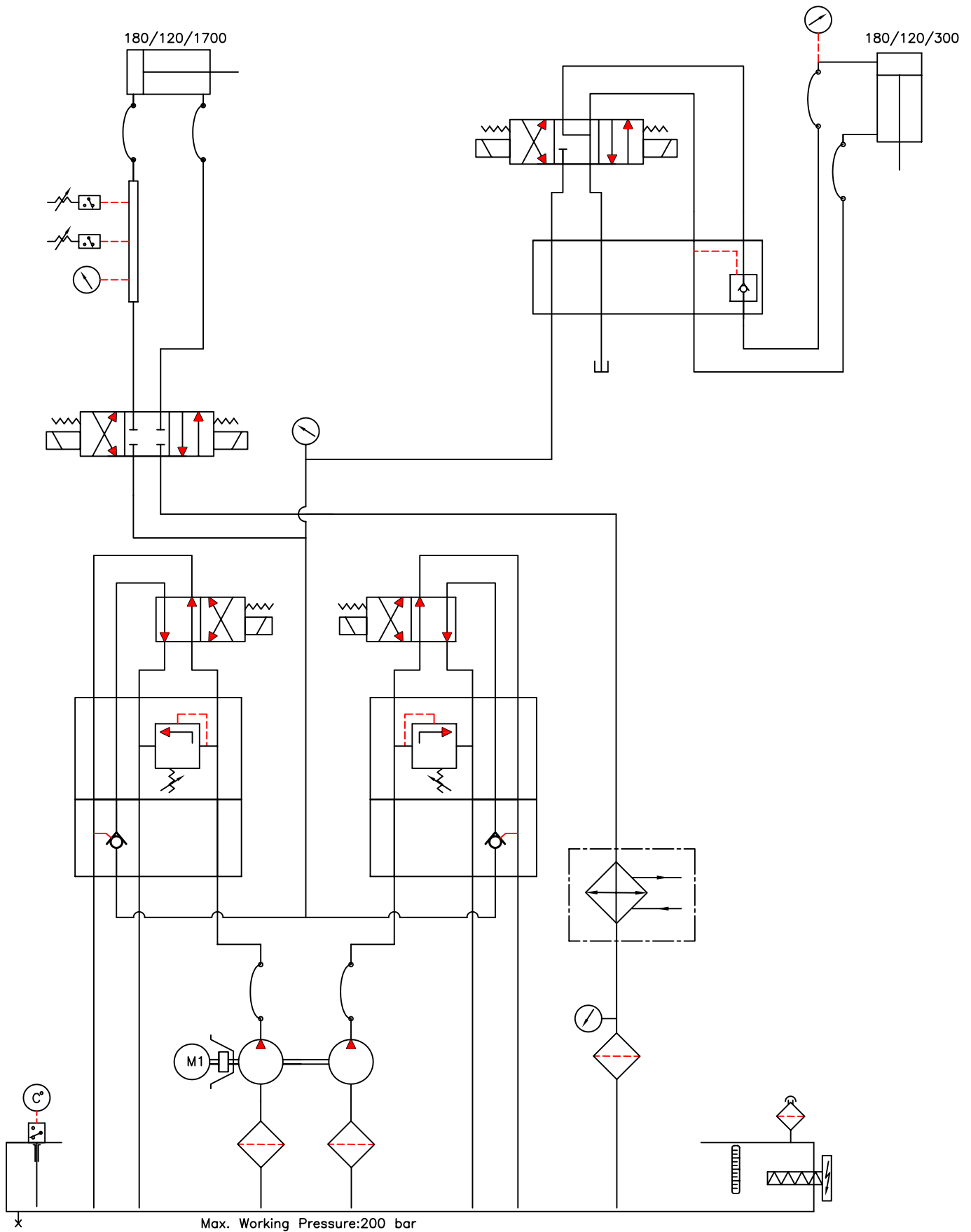



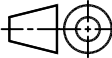
	Date	Name	Project:	
Designed		Vahabzade	Hydraulic System	
Drawn		Bahavar		
Checked		Danesh	Ref. Code:	Ordered by:
Approved		Karami		
Drawing title:			Qty.:	
Hydraulic Circuit			1	
Scale:	Sheet:	Rev. date:	Rev.:	
	1	20.7.89	5	

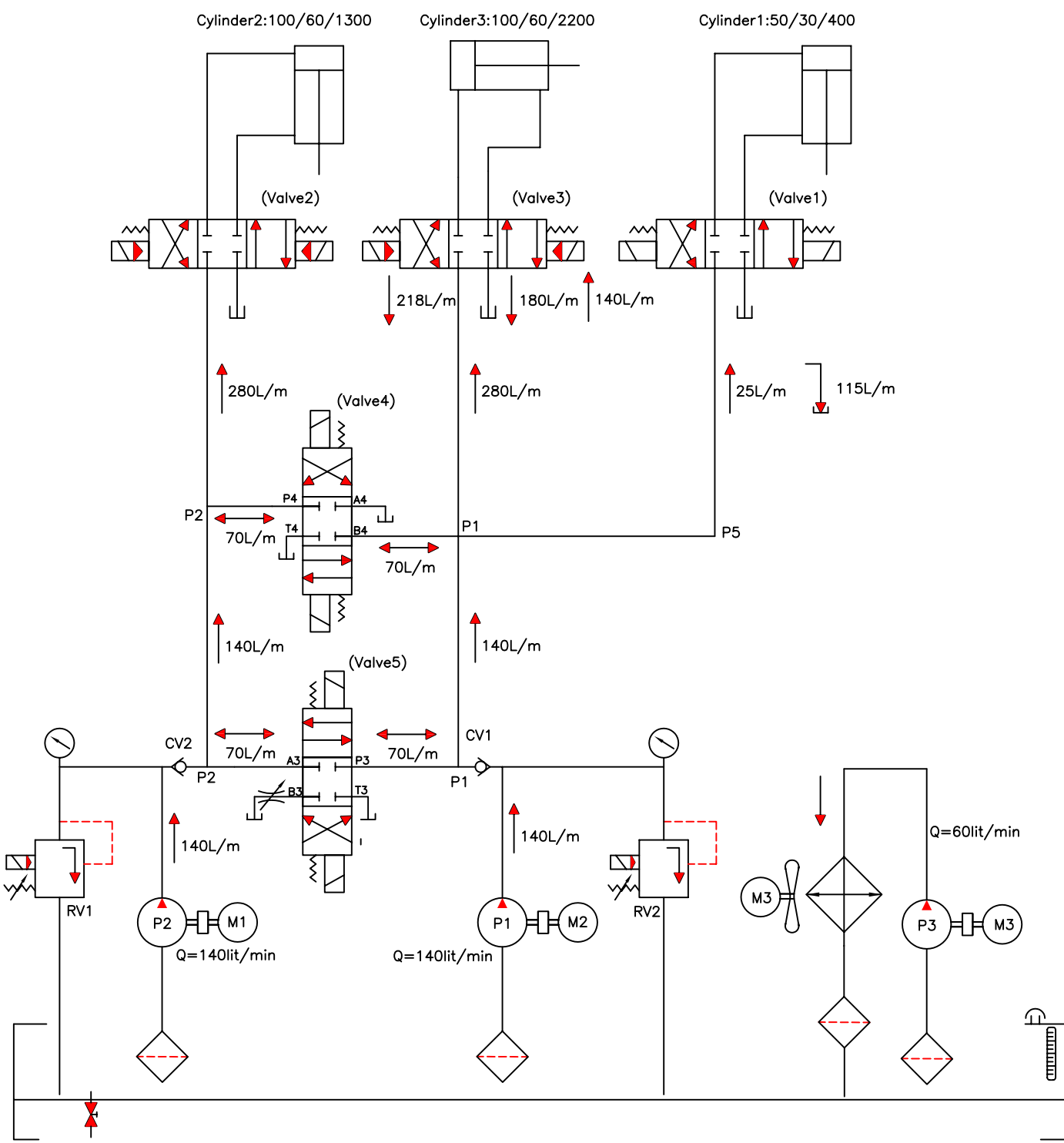





	Date	Name	Project:		 BONYAN TADBIR PARS www.IranFluidPower.com
Designed		Vahabzade	Hydraulic System		
Drawn		Bahavar			
Checked		Danesh	Ref. Code:	Ordered by:	
Approved		Karami			
Drawing title:			Qty.:		
Hydraulic Circuit			2		
	Scale:	Sheet:	Rev. date:	Rev.:	
		1	26.11.89	2	



	Date	Name	Project:		 BONYAN TADBIR PARS www.IranFluidPower.com
Designed		Vahabzade	Hydraulic System		
Drawn		Bahavar			
Checked		Danesh	Ref. Code: (BTP8705)	Ordered by:	
Approved		Karami			
Drawing title:			Qty.:		
Hydraulic Circuit					
	Scale:	Sheet:	Rev. date:	Rev.:	
		1	10.06.87	1	

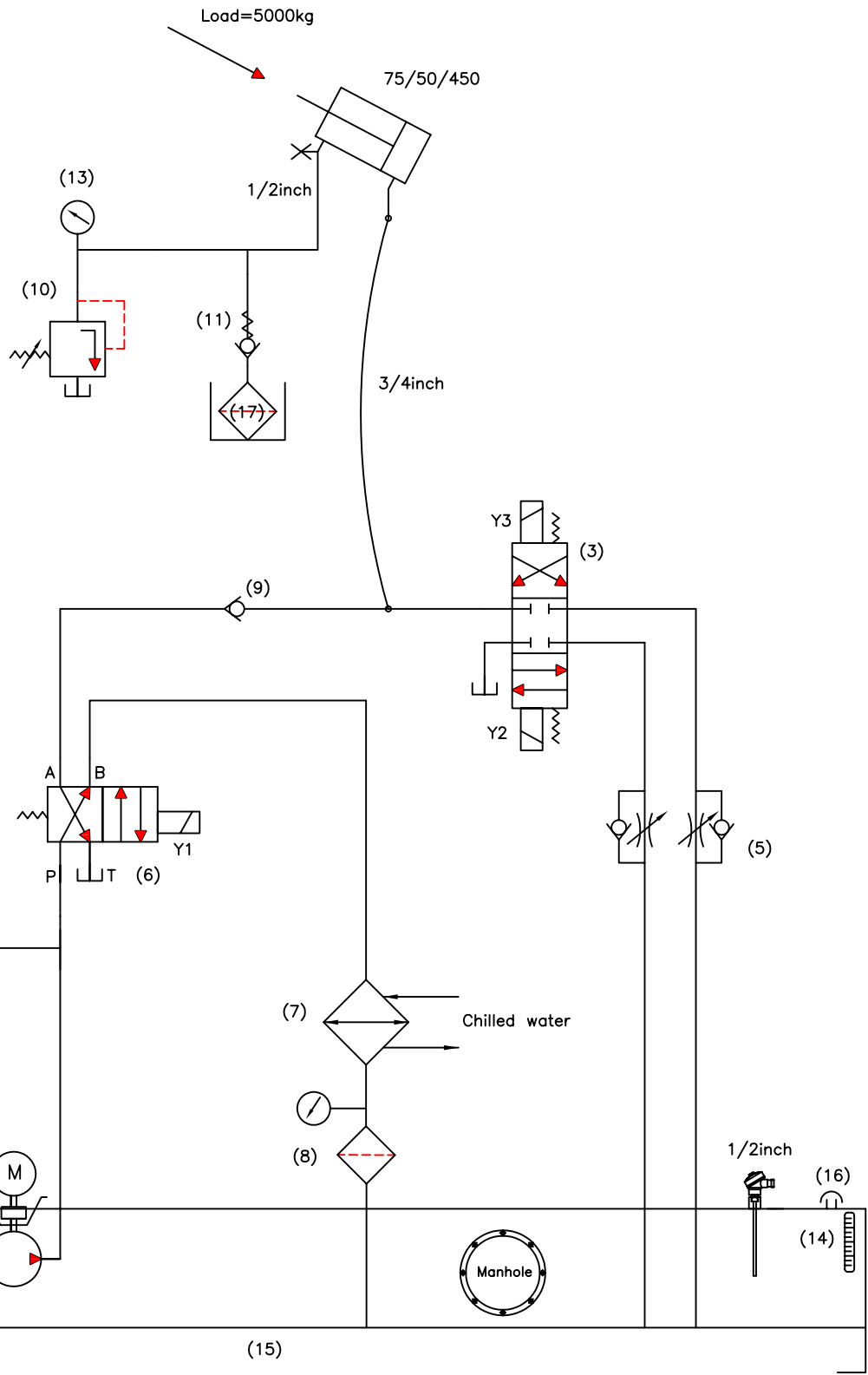
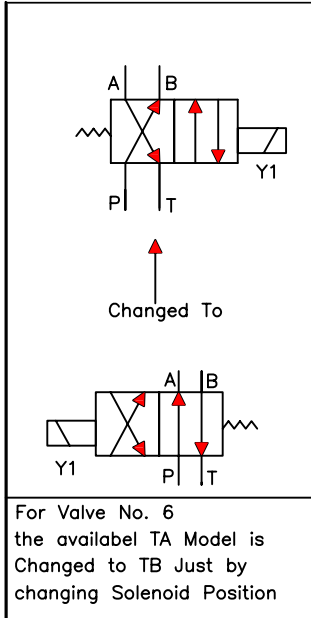


	Date	Name	Project:	
Designed		Vahabzade	Hydraulic System	
Drawn	18.05.91	Bahavar		
Checked		Danesh	Ref. Code: (BTP9116)	Ordered by:
Approved		Karami		
Drawing title:			Qty.:	
Hydraulic Circuit				
	Scale:	Sheet:	Rev. date:	Rev.:
		1	9.06.91	3



BONYAN TADBIR PARS

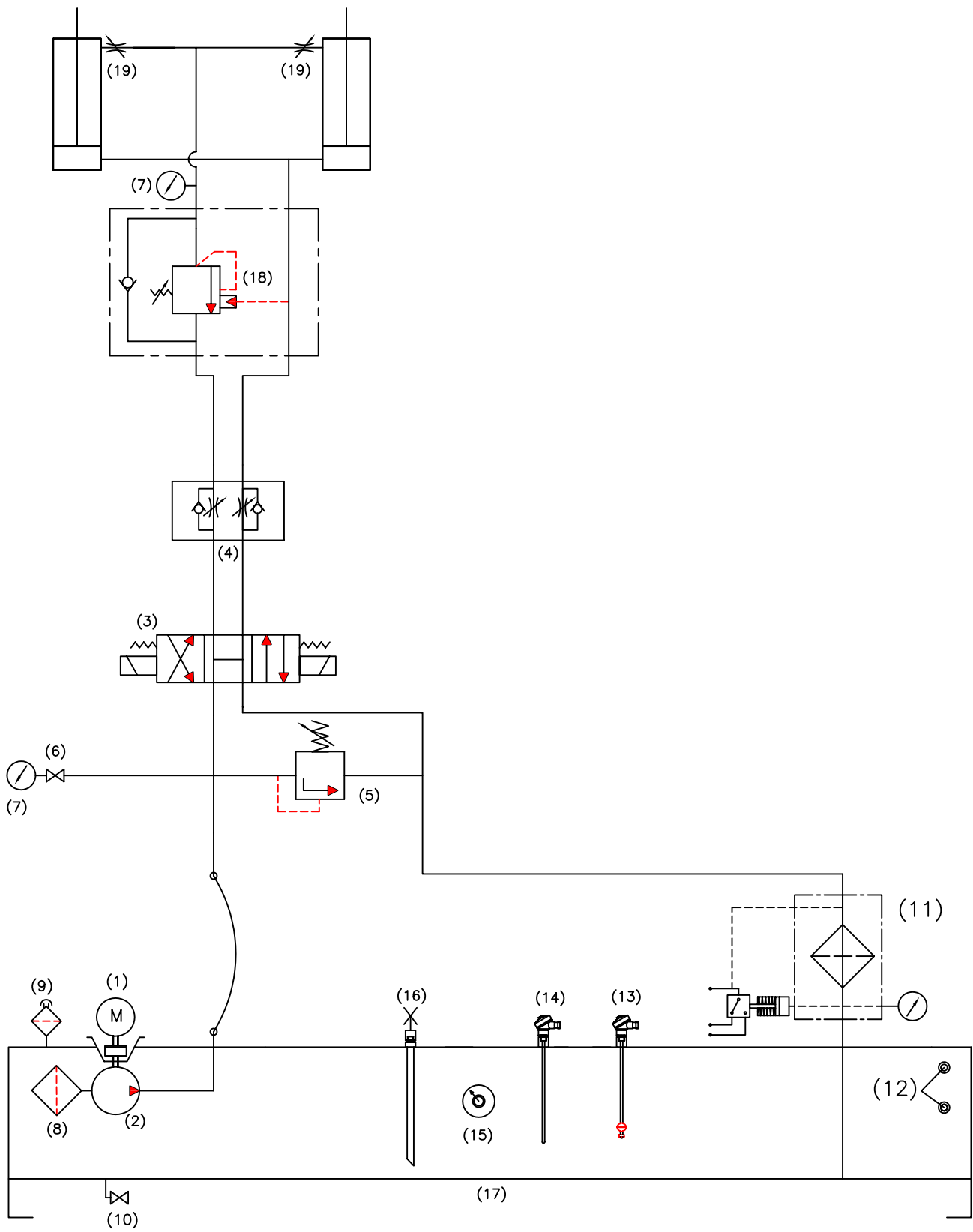
www.IranFluidPower.com


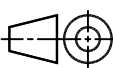


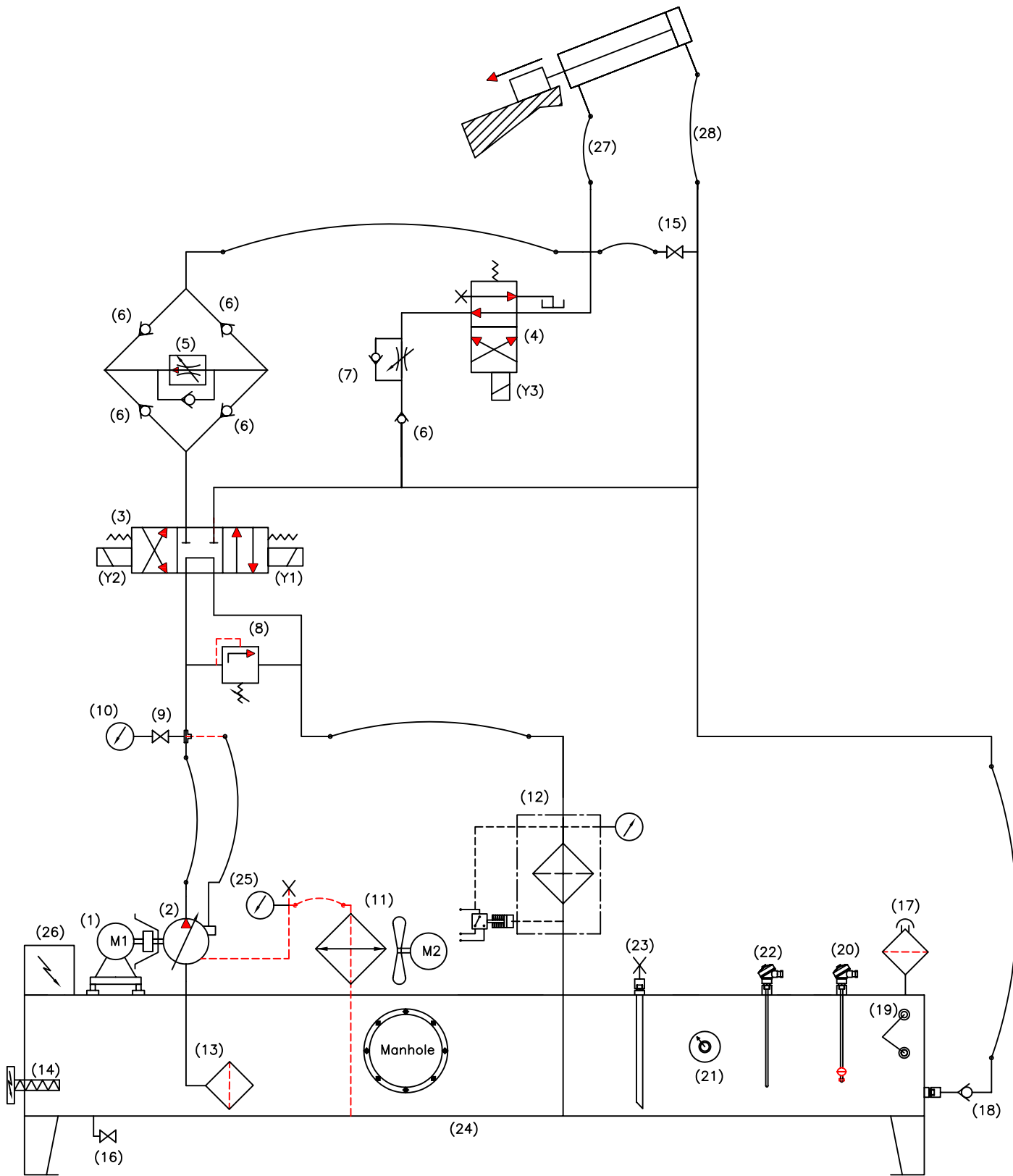
	Date	Name	Project:	
Designed		Vahabzade	Hydraulic System	
Drawn	21.05.91	Bahavar		
Checked		Danesh		
Approved		Karami	Ref. Code:	Ordered by:
Drawing title:			Qty.:	
Hydraulic Circuit				
Scale:	Sheet:	Rev. date:	Rev.:	
	1		2	

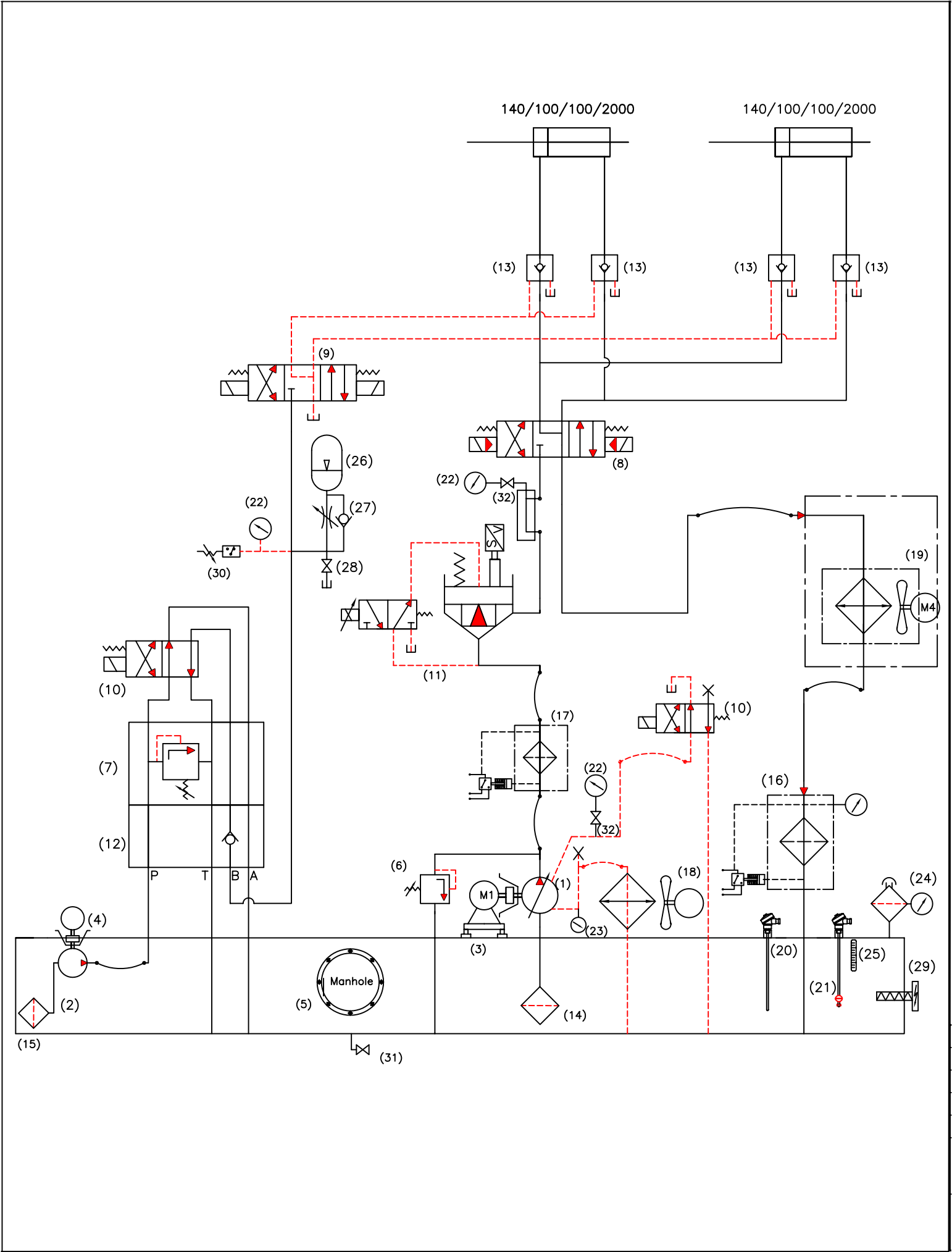
BONYAN TADBIR PARS

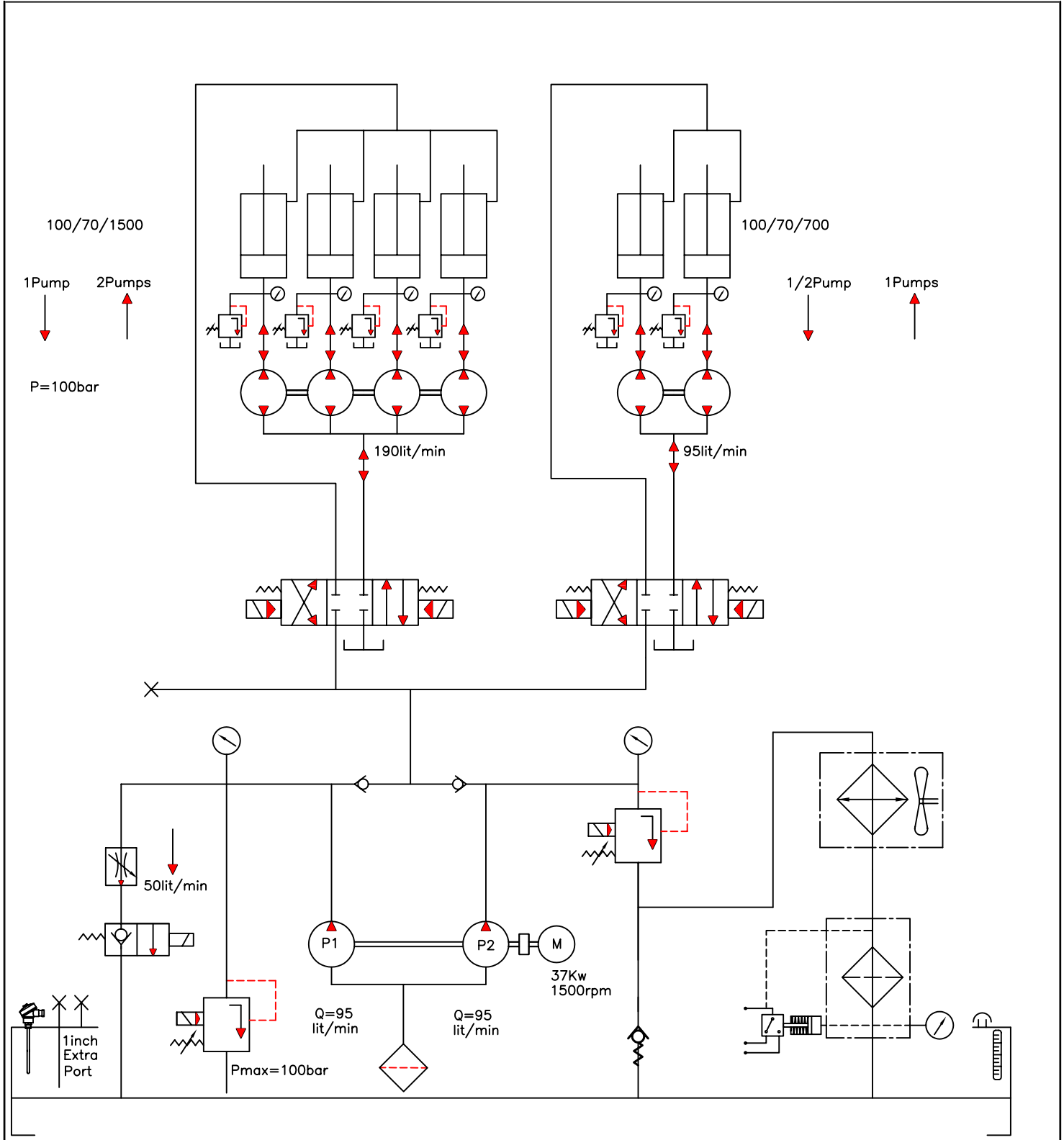
www.IranFluidPower.com




	Date	Name	Project:		 BONYAN TADBIR PARS www.IranFluidPower.com
Designed		Vahabzade	Hydraulic System		
Drawn	1.5.91	Bahavar			
Checked		Danesh	Ref. Code: (BTP91012)	Ordered by:	
Approved		Karami			
Drawing title: Part List			Qty.:		
	Scale:	Sheet: 1	Rev. date: 10.5.91	Rev.: 2	





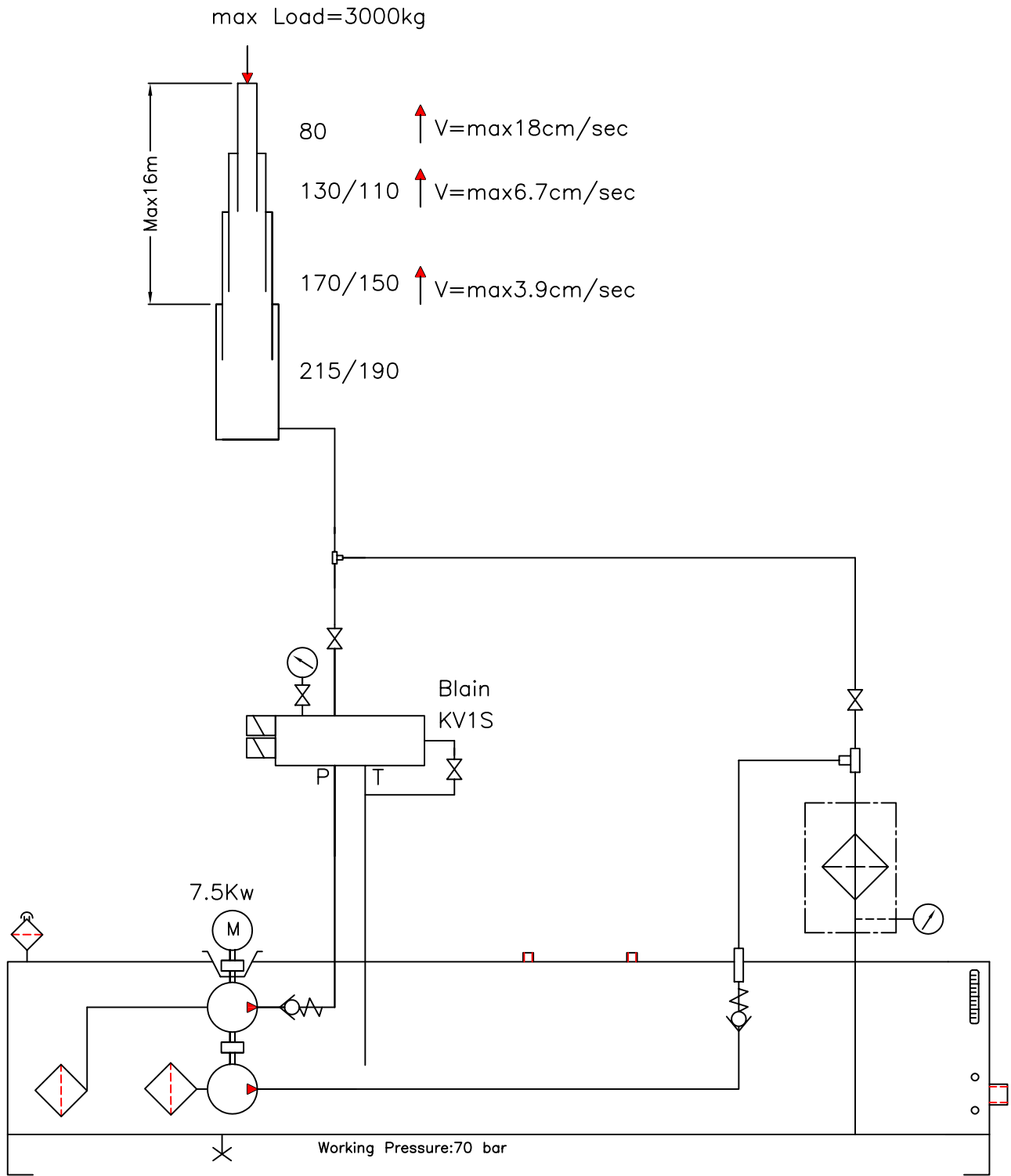



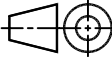
	Date	Name	Project:	
Designed		Vahabzade	Hydraulic System	
Drawn	26.02.91	Bahavar		
Checked		Danesh	Ref. Code:	
Approved		Karami	Ordered by:	
Drawing title:			Qty.:	
Hydraulic Circuit				
Scale:	Sheet:	Rev. date:	Rev.:	
	1	17.03.91	2	

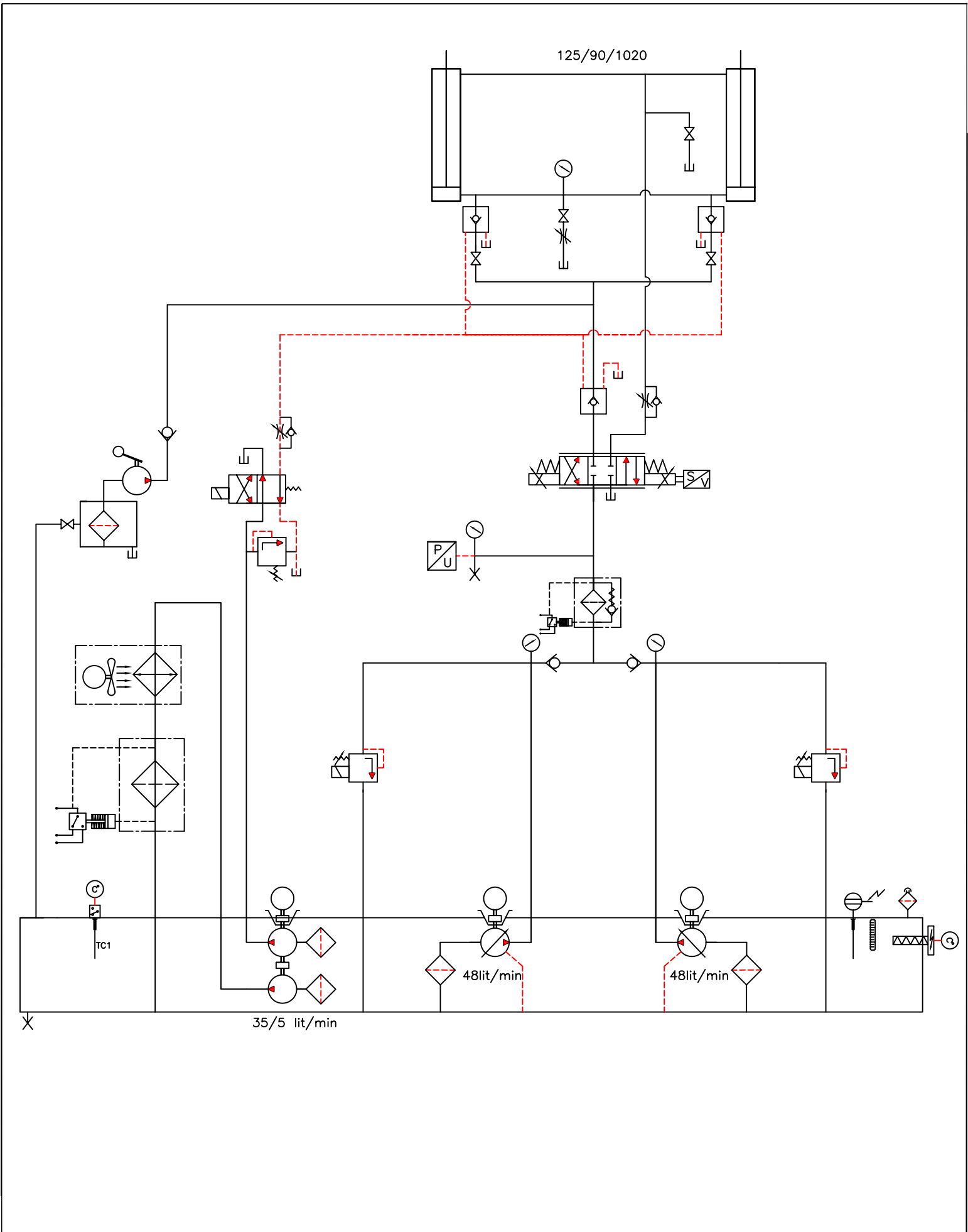


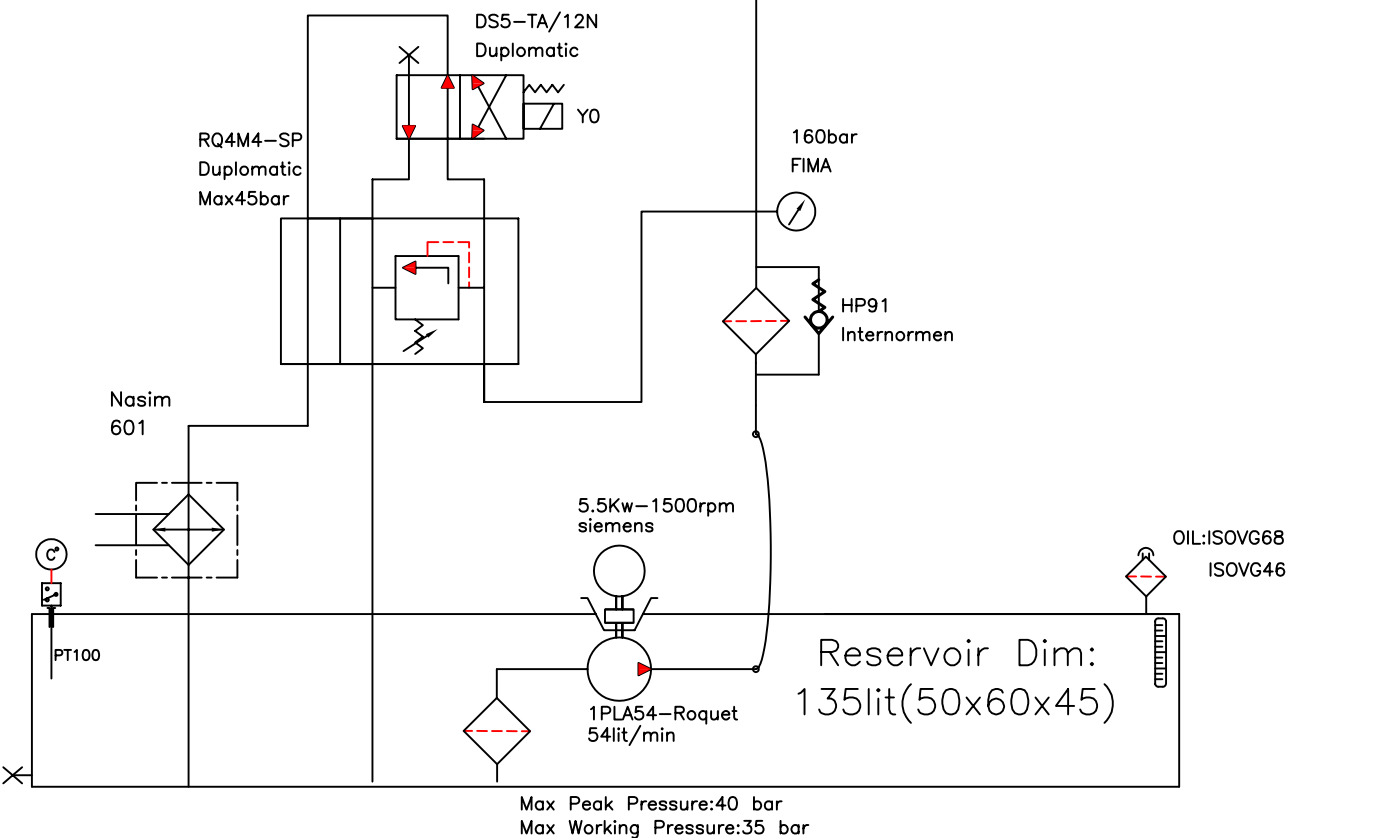
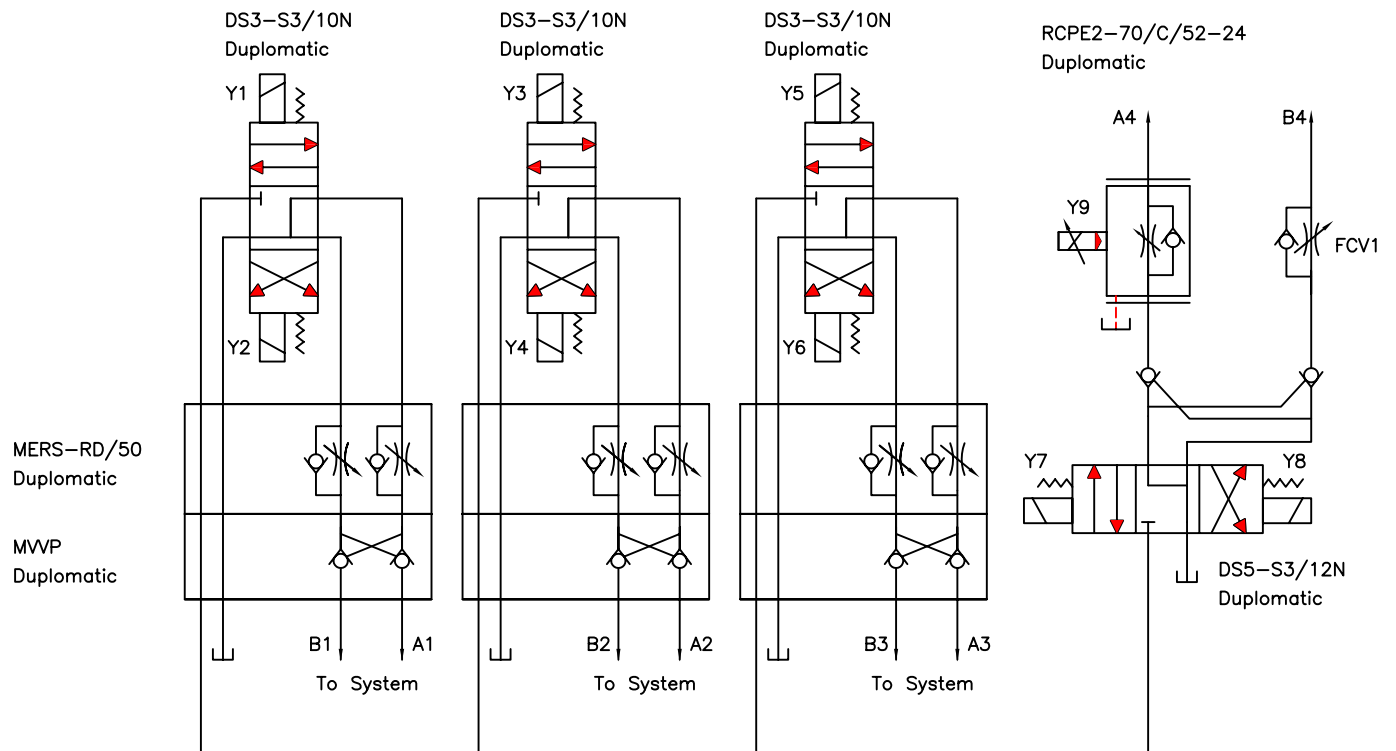
BONYAN TADBIR PARS

www.IranFluidPower.com



	Date	Name	Project:		 BONYAN TADBIR PARS www.IranFluidPower.com	
Designed		Vahabzade	Hydraulic System			
Drawn	23.1.91	Bahavar				
Checked		Danesh	Ref. Code:	(BTP9102)		Ordered by:
Approved		Karami				
Drawing title:			Qty.:			
Hydraulic Circuit						
	Scale:	Sheet:	Rev. date:	Rev.:		
		1	5.2.91	2		



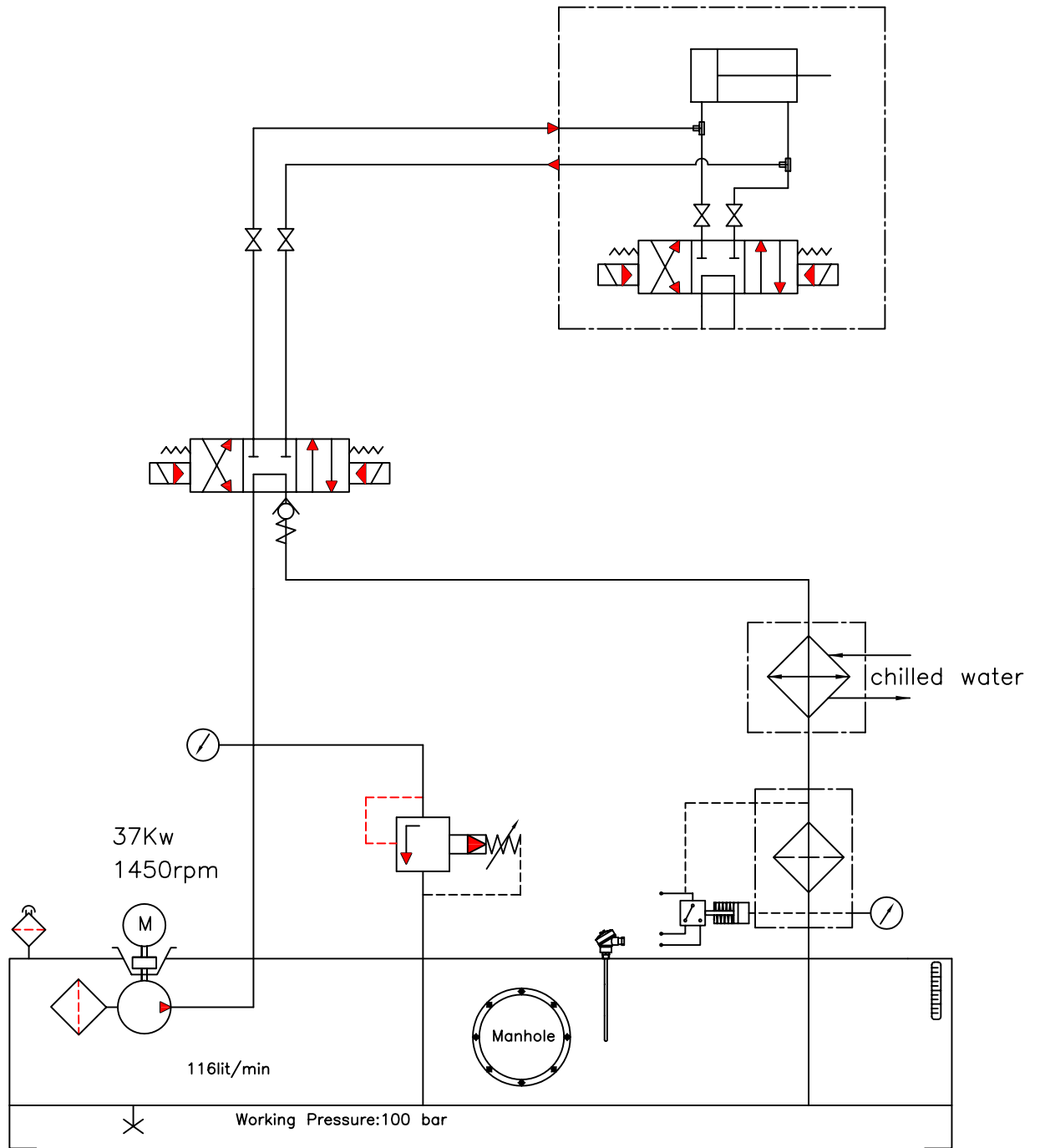



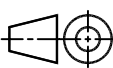
	Date	Name	Project:	
Designed		Vahabzade	Hydraulic System	
Drawn		Bahavar		
Checked		Danesh	Ref. Code:	Ordered by:
Approved		Karami		
Drawing title:			Qty.:	
Hydraulic Circuit			1	

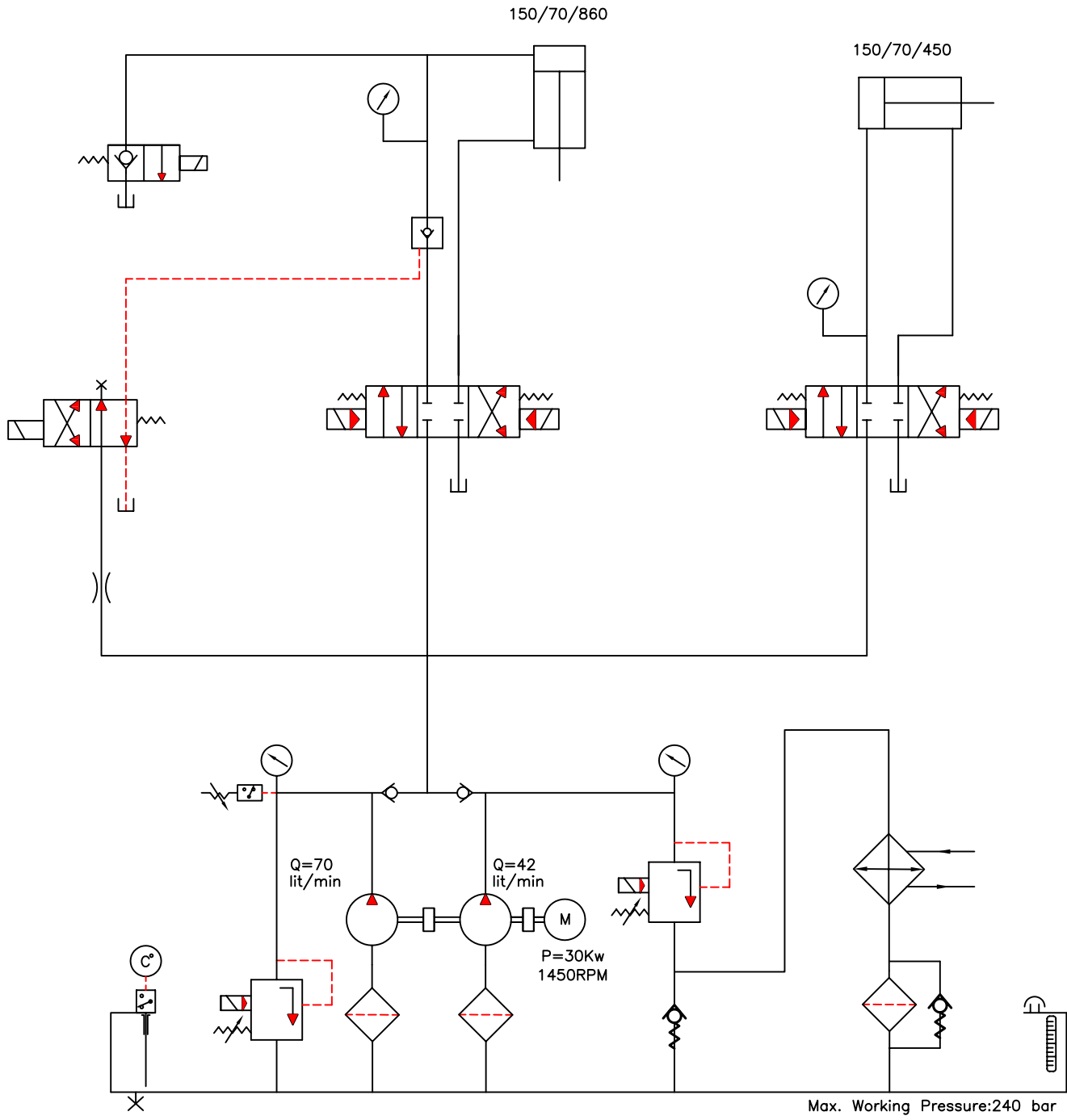


	Scale:	Sheet:	Rev. date:	Rev.:
		1	31.1.90	1

www.IranFluidPower.com



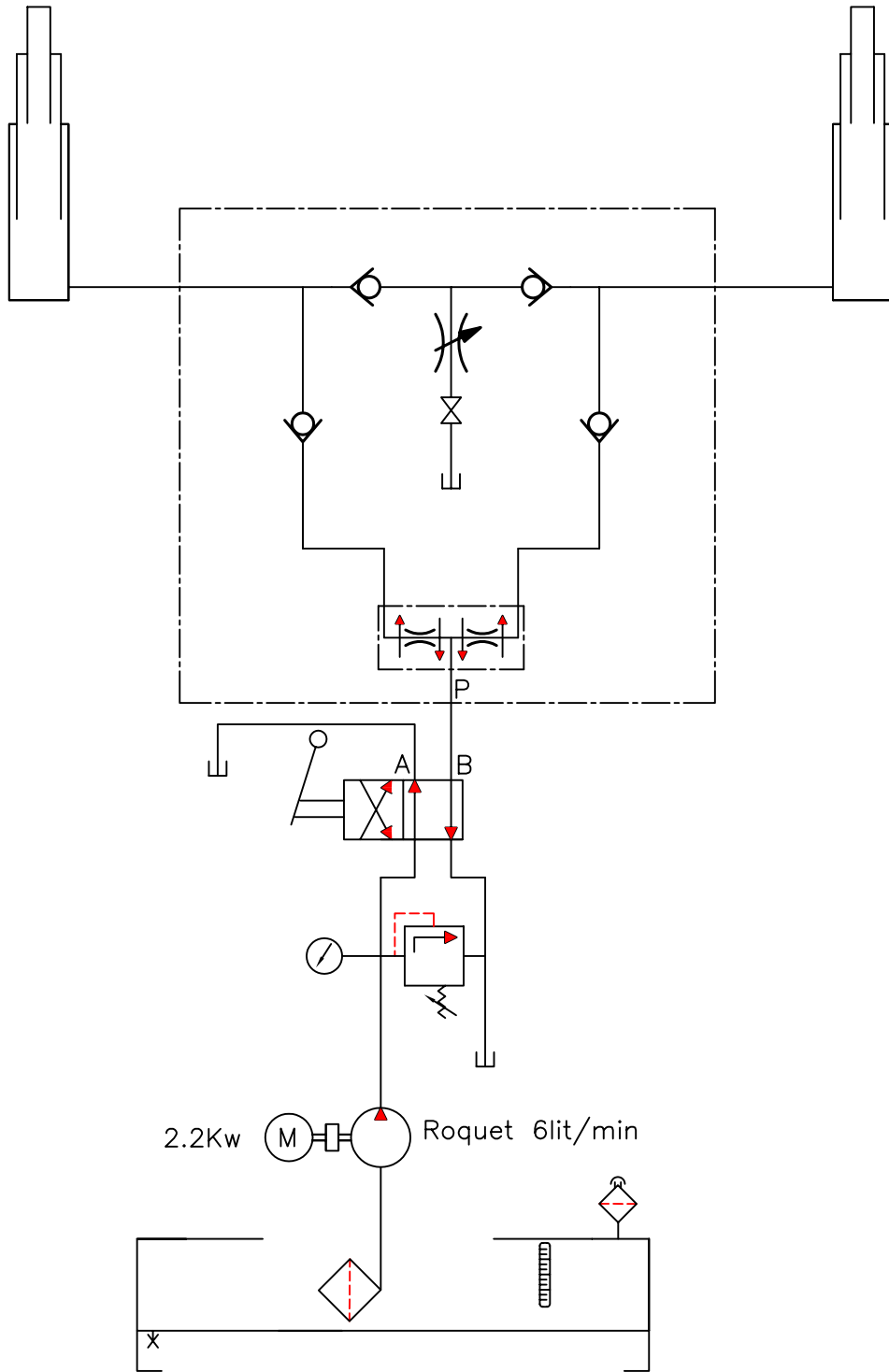
	Date	Name	Project:		 BONYAN TADBIR PARS www.IranFluidPower.com	
Designed		Vahabzade	Hydraulic System			
Drawn	12.11.90	Bahavar				
Checked		Danesh	Ref. Code:	(BTP89011)		Ordered by:
Approved		Karami				
Drawing title:			Qty.:			
Hydraulic Circuit						
	Scale:	Sheet:	Rev. date:	Rev.:		
		1	12.11.90	2		



	Date	Name	Project:		
Designed		Vahabzade	Hydraulic System		
Drawn	09.03.89	Bahavar			
Checked		Danesh			
Approved		Karami	Ref. Code:	(BTP8906)	Ordered by:
Drawing title:			Qty.:		
Hydraulic Circuit			1		
	Scale:	Sheet:	Rev. date:	Rev.:	
		1	09.03.89	1	

BONYAN TADBIR PARS

www.IranFluidPower.com



	Date	Name	Project:	
Designed		Vahabzade	Hydraulic System	
Drawn	22.03.89	Vahabzade		
Checked		Danesh	Ref. Code: (BTP8908)	Ordered by:
Approved		Karami		
Drawing title:				
Hydraulic Circuit				
Qty.:	Sheet:	Rev.:	Rev. date:	
	1	2	28.04.89	



BONYAN TADBIR PARS

www.IranFluidPower.com



تیم مهندسی شرکت بنیان تدبیر پارس
پاسخگوی سئوالات فنی شما جهت طراحی و ساخت انواع سیستمهای هیدرولیک میباشد

ایمیل : info@btpco.com	فکس : ۸۸۴۰۷۲۷۵	تلفن : ۸۸۴۵۲۵۸۶ - ۸۸۴۵۲۵۸۷
------------------------	----------------	----------------------------

www.iranfluidpower.com